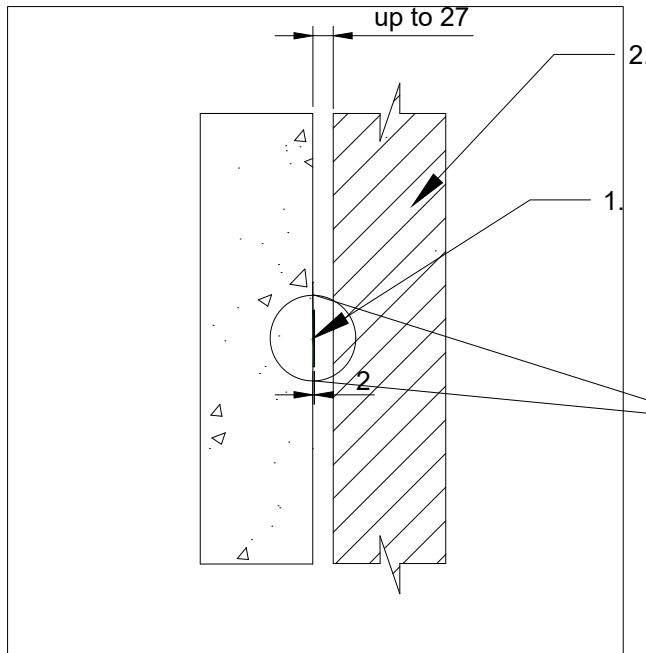


Silverliner OSCBX 27mm void

KEY

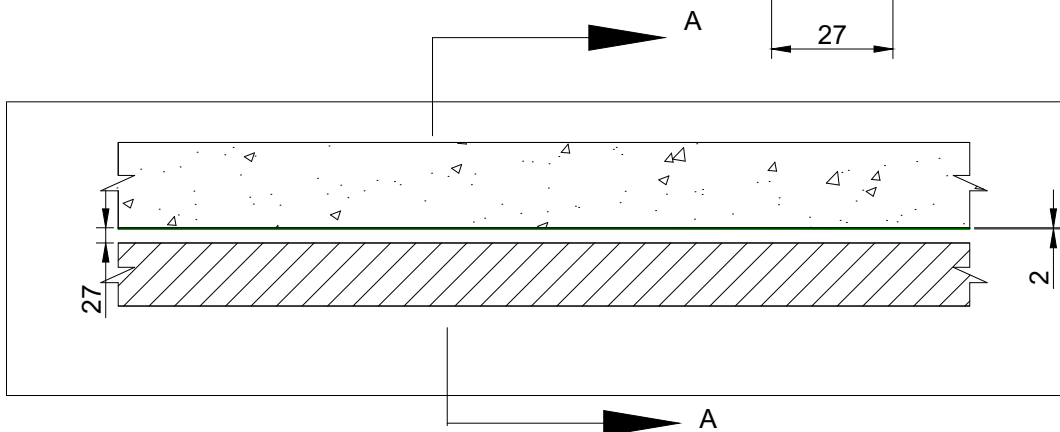
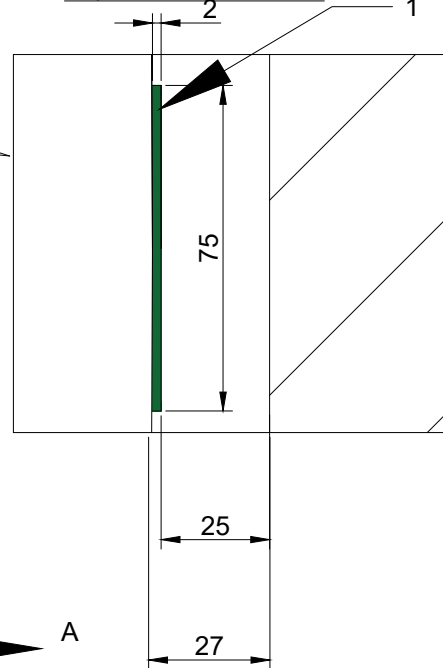
- 1. Silverliner OSCBX
- 2. External Building Envelope Substrate

SECTION A A



Warrington Fire 429927
Integrity 90 minutes
Insulation 60 minutes
In accordance with TGD19

Expanded view of A-A



All dimensions in mm

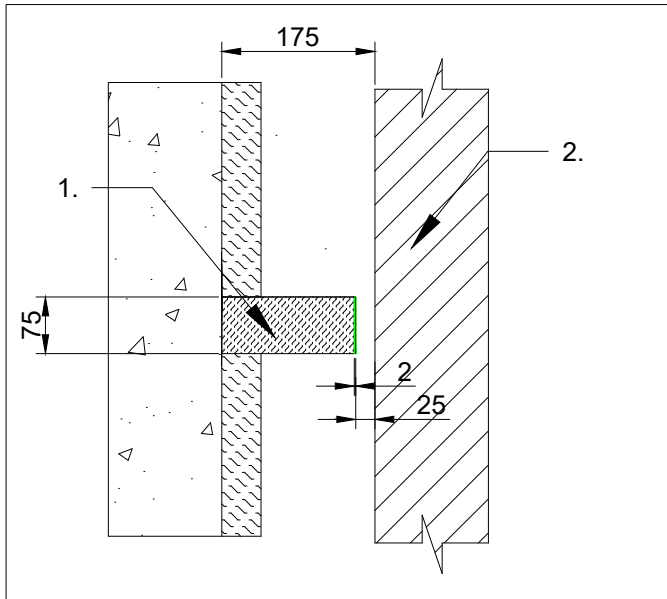
Scale :NTS

Silverliner OSCB 1 Up To 175mm void

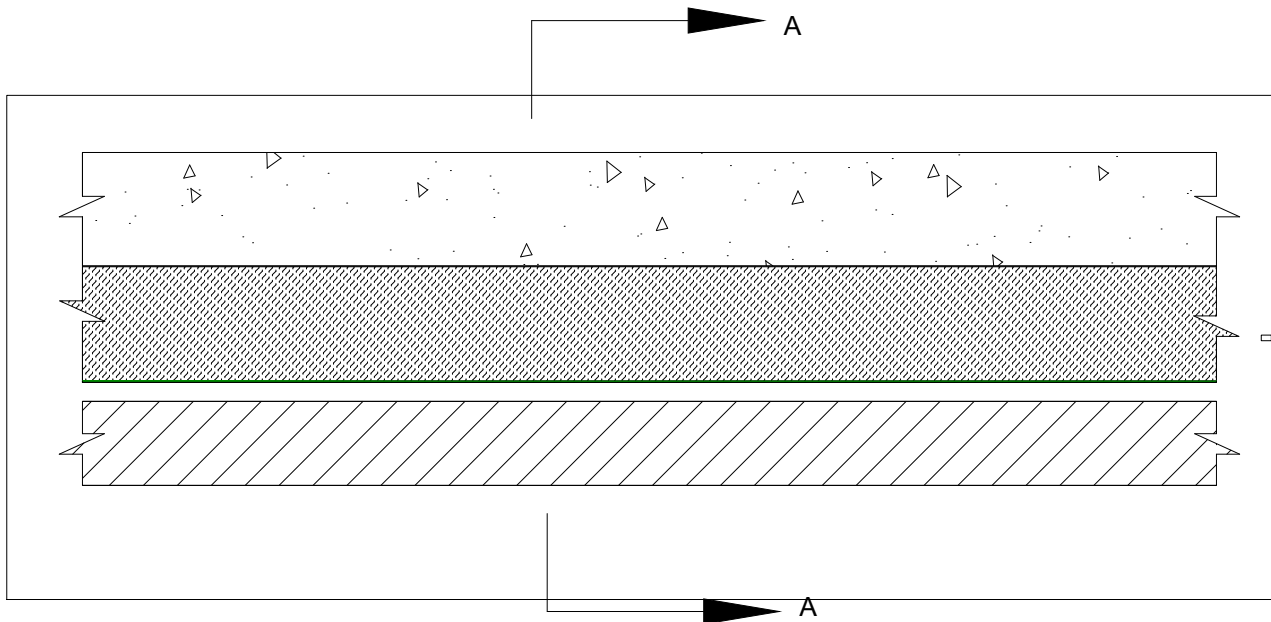
KEY

1. 75mm thick Silverliner OSCB - 25mm air gap- Overall gap size up to 175mm
2. External Building Envelope

SECTION A_A



Warrington Fire 429927
Integrity 90minutes
Insulation 30 minutes
In accordance with TGD 19

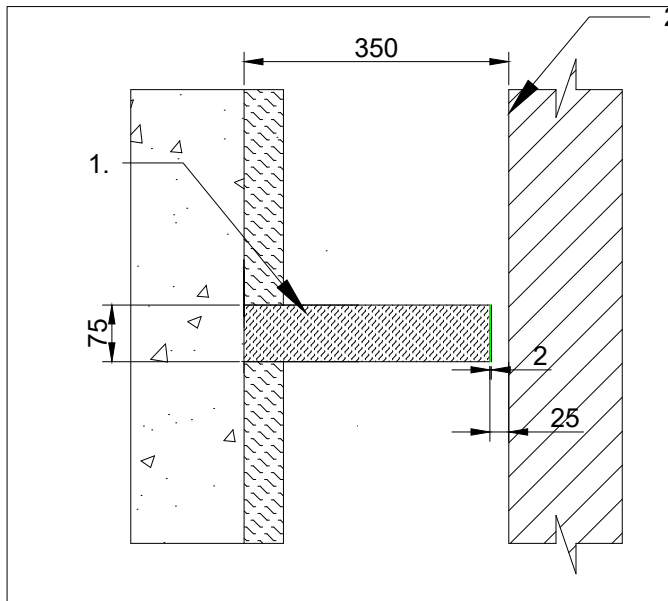


Silverliner OSCB 1 Up To 350mm void

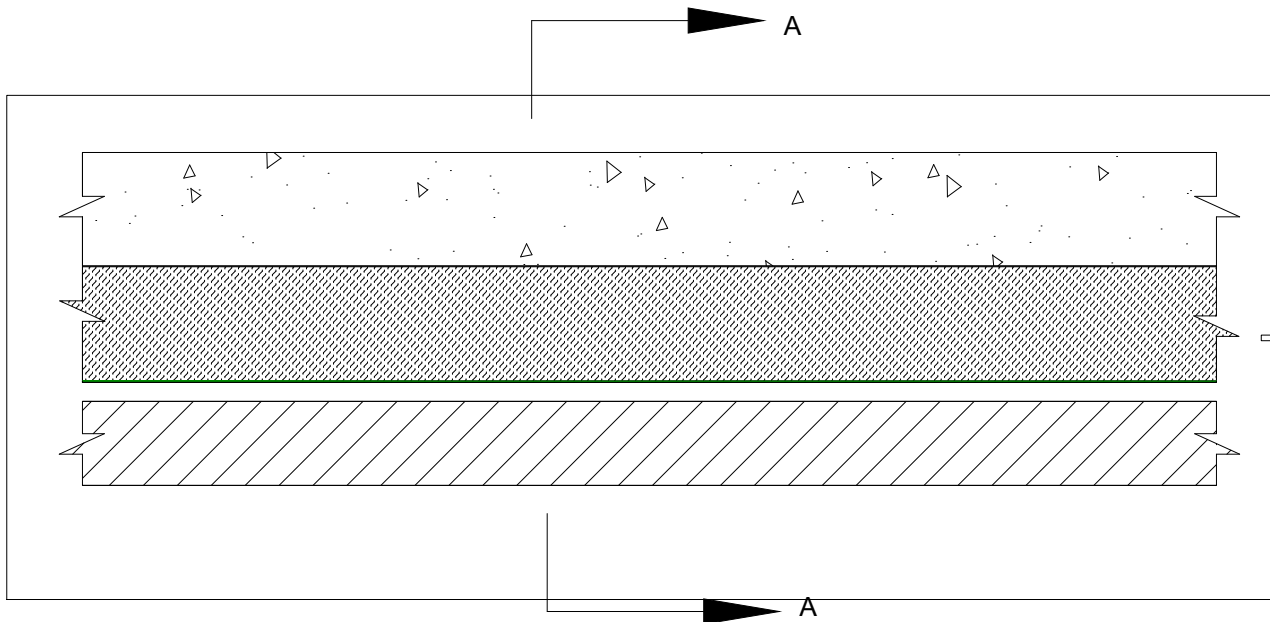
KEY

1. 75mm thick Silverliner OSCB - 25mm air gap- Overall gap size up to 350mm
2. External Building Envelope

SECTION A_A



Warrington Fire 429927
Integrity 45minutes
Insulation 30 minutes
In accordance with TGD 19

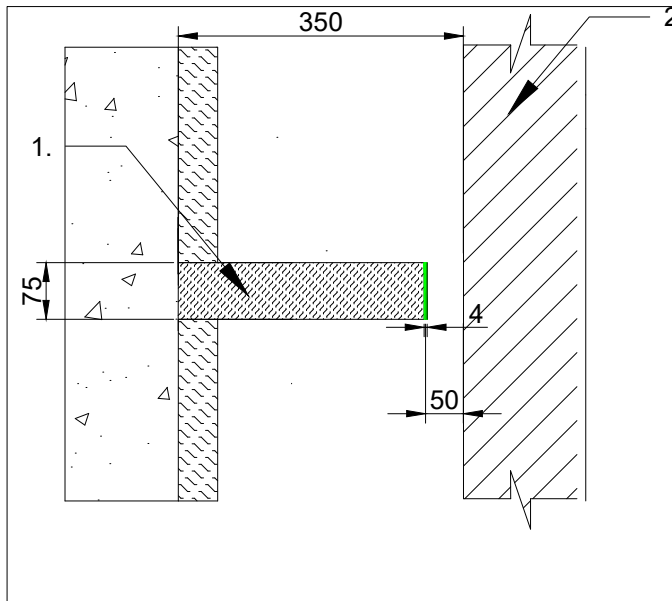


Silverliner OSCB2 Up To 350mm void

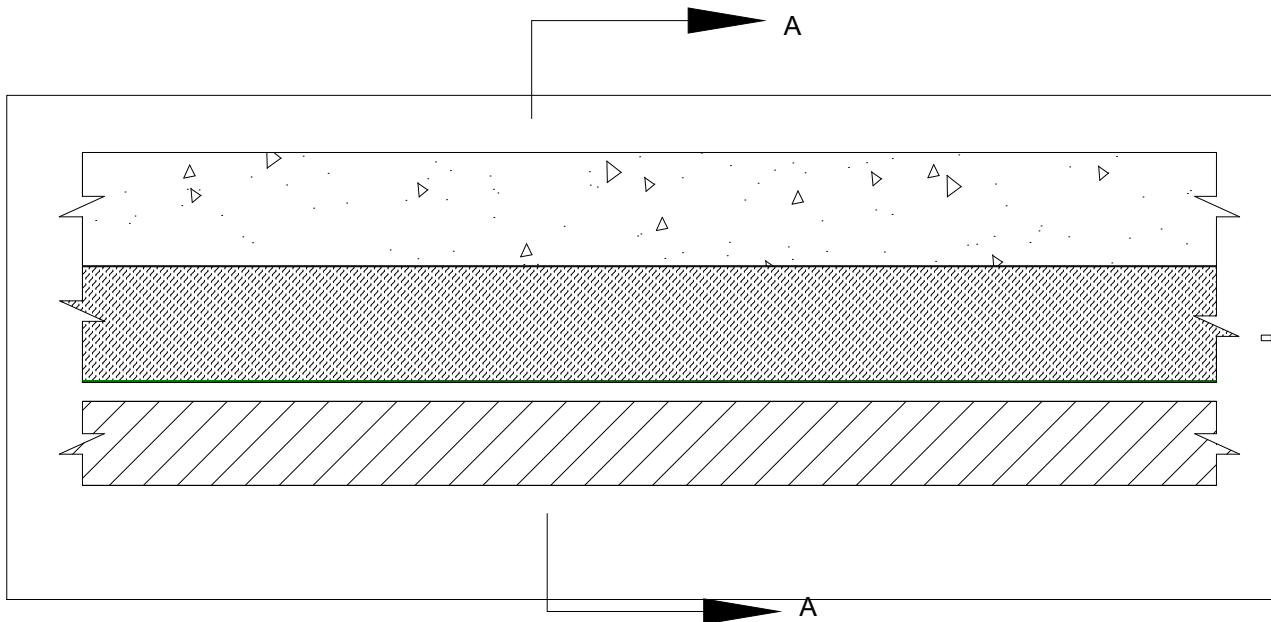
KEY

1. 75mm thick Silverliner OSCB 2 - 50mm air gap- Overall gap size up to 350mm
2. External Building Envelope

SECTION A_A



Warrington Fire 429927
Integrity 30minutes
Insulation 30 minutes
In accordance with TGD 19

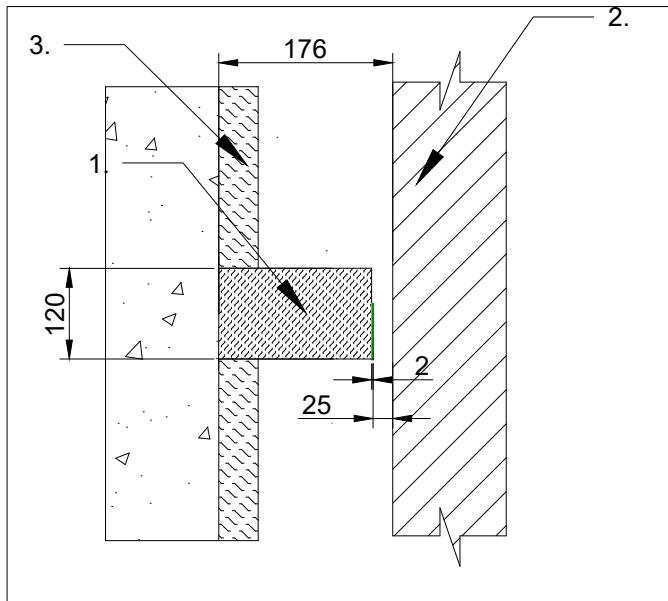


Silverliner OSCB 3 Up To 176mm void

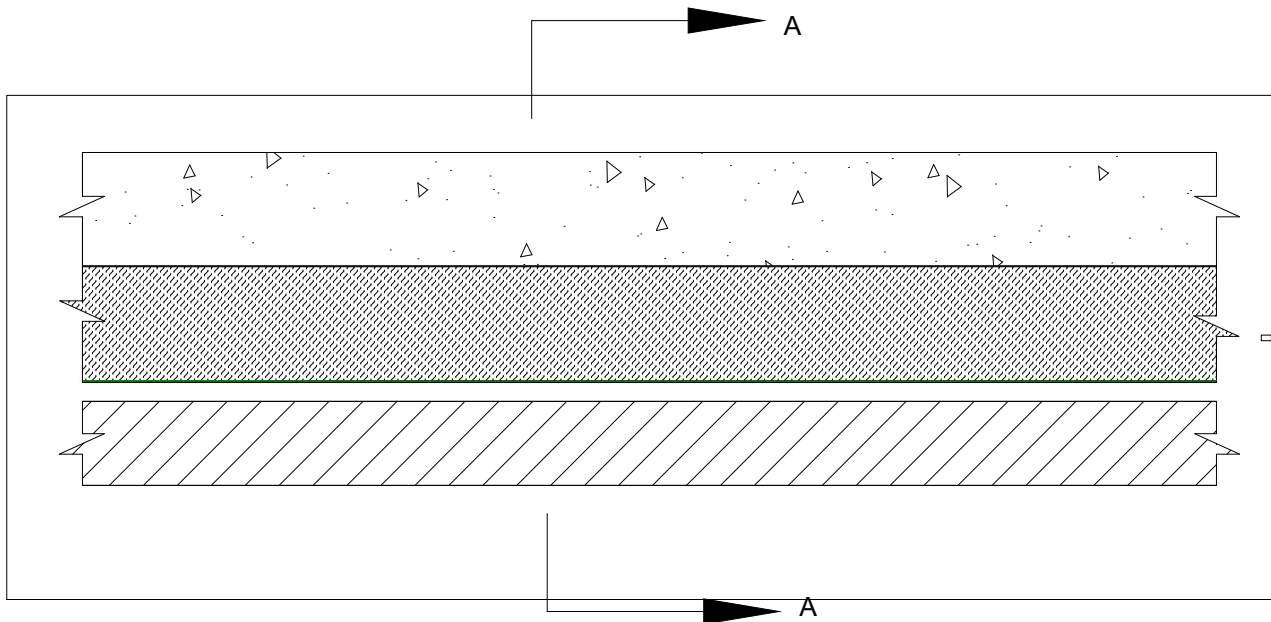
KEY

1. 120mm thick Silverliner OSCB - 25mm air gap- Overall gap size up to 177mm
2. External Building Envelope
3. Mineral Fibre Insulation

SECTION A_A



Warrington Fire 429927
Integrity 90minutes
Insulation 60 minutes
In accordance with TGD 19

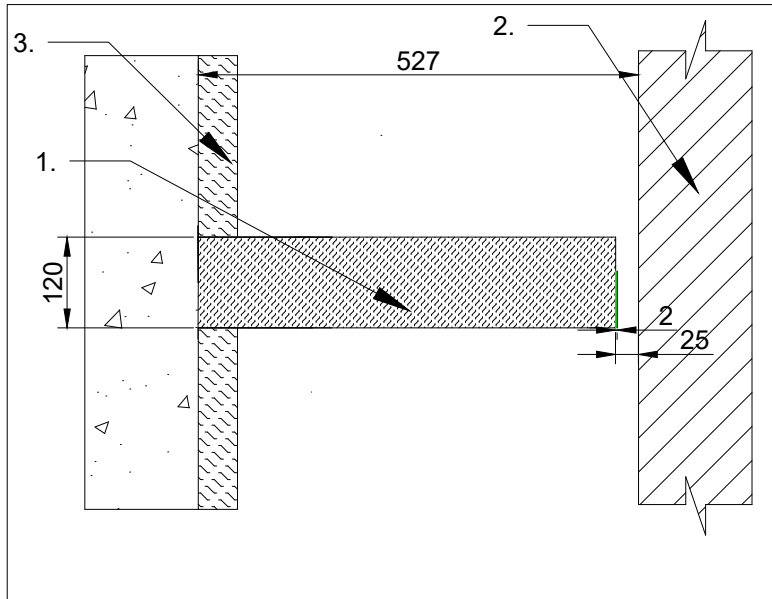


Silverliner OSCB 3 177 to 527mm void

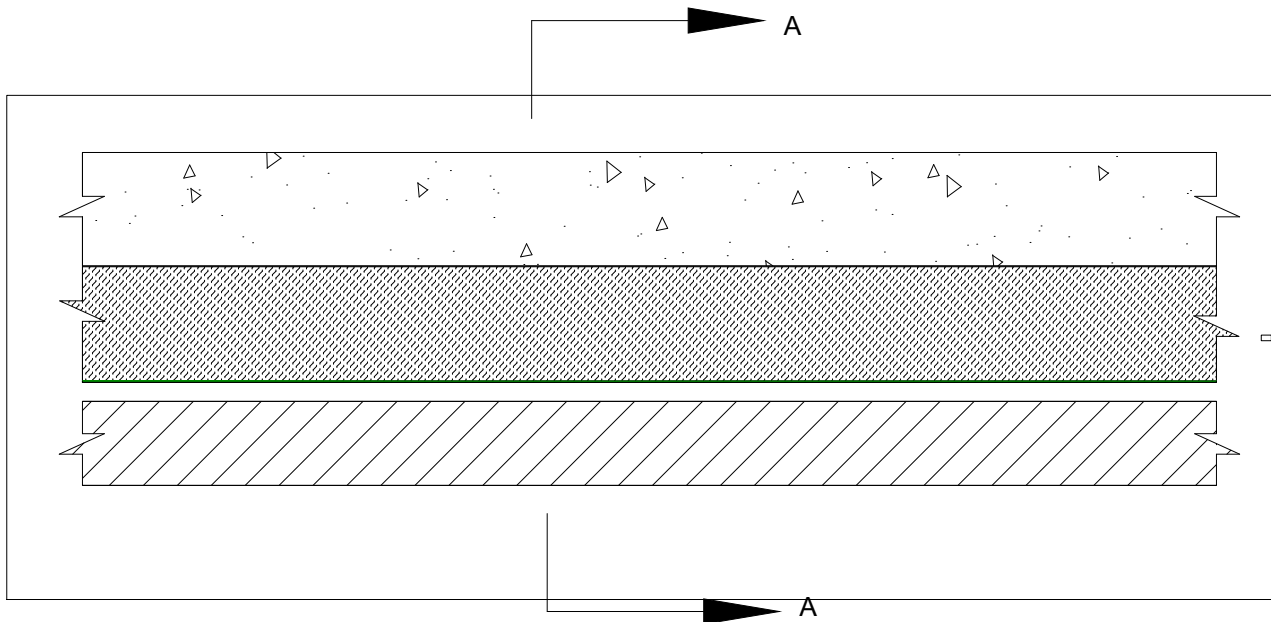
KEY

1. 120mm thick Silverliner OSCB - 25mm air gap- Overall gap size up to 527mm
2. External Building Envelope
3. Mineral Fibre Insulation

SECTION A_A



Warrington Fire 429927
Integrity 120minutes
Insulation 120 minutes
In accordance with TGD 19

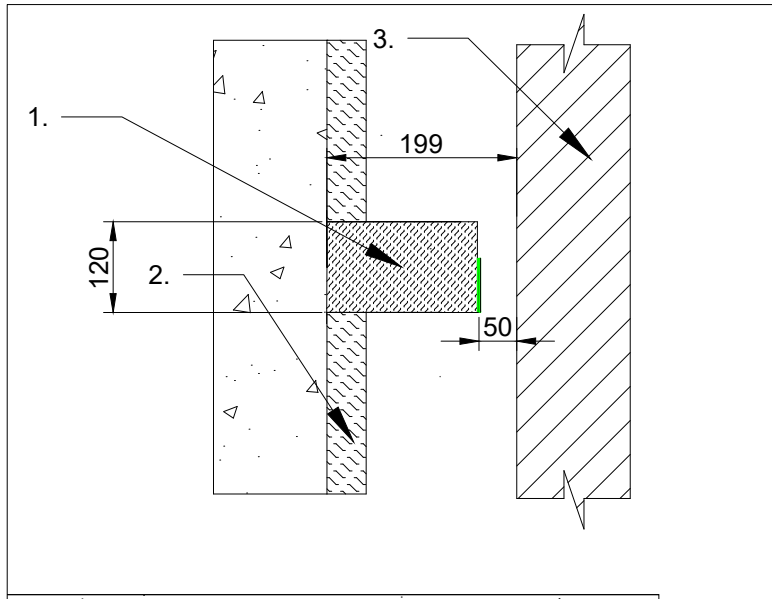


Silverliner OSCB 4 Up To 54mm - 199mm void

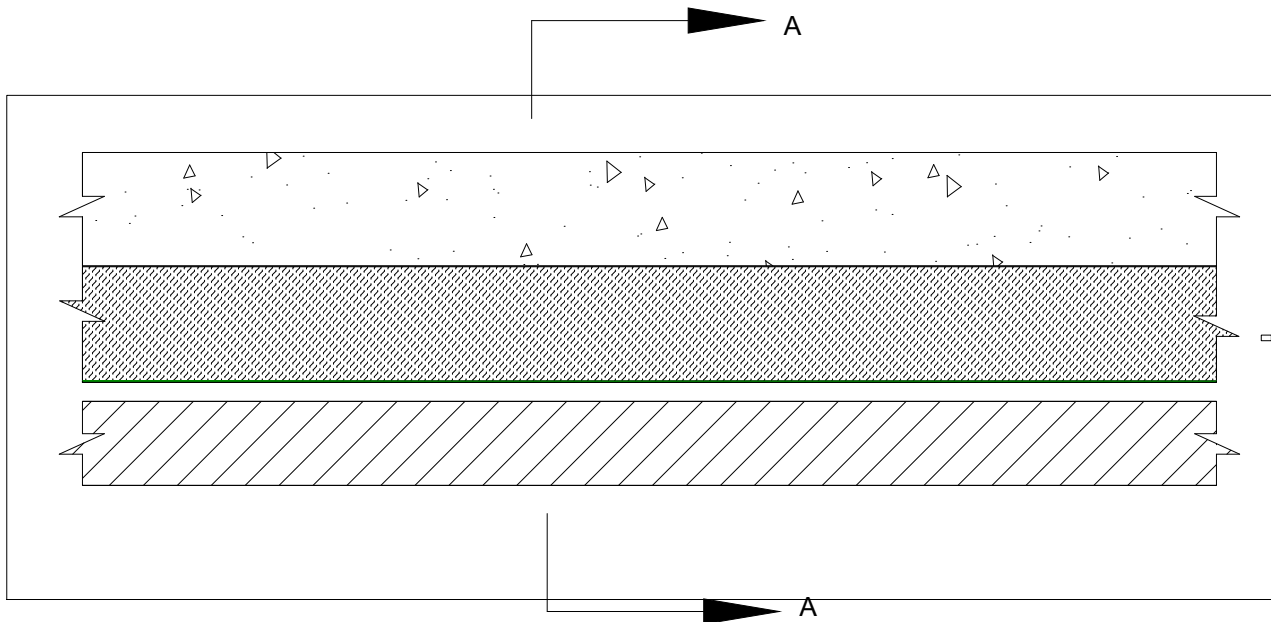
KEY

1. 120mm thick Silverliner OSCB - 50mm air gap- Overall gap size up to 199mm
2. External Building Envelope
3. Mineral Fibre Insulation

SECTION A_A



Warrington Fire 429927
Integrity 90minutes
Insulation 60 minutes
In accordance with TGD 19

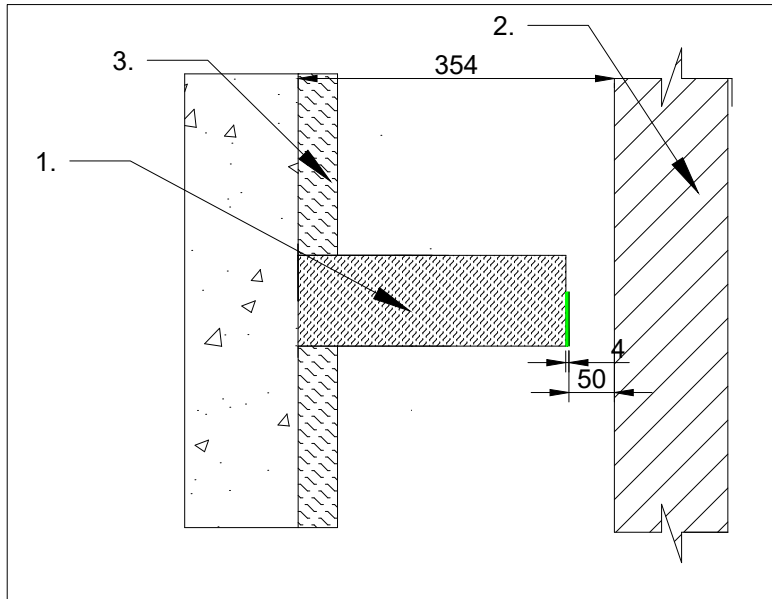


Silverliner OSCB 4 Up To 200mm - 354mm void

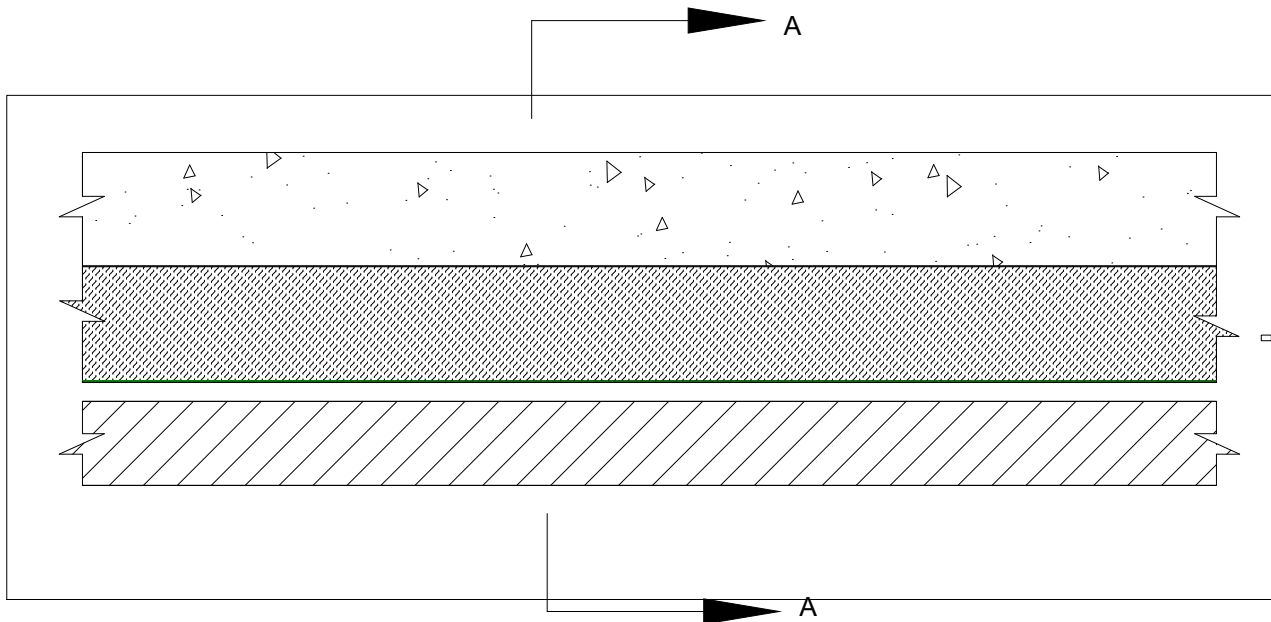
KEY

1. 120mm thick Silverliner OSCB - 50mm air gap- Overall gap size up to 354mm
2. External Building Envelope
3. Mineral Fibre Insulation

SECTION A_A



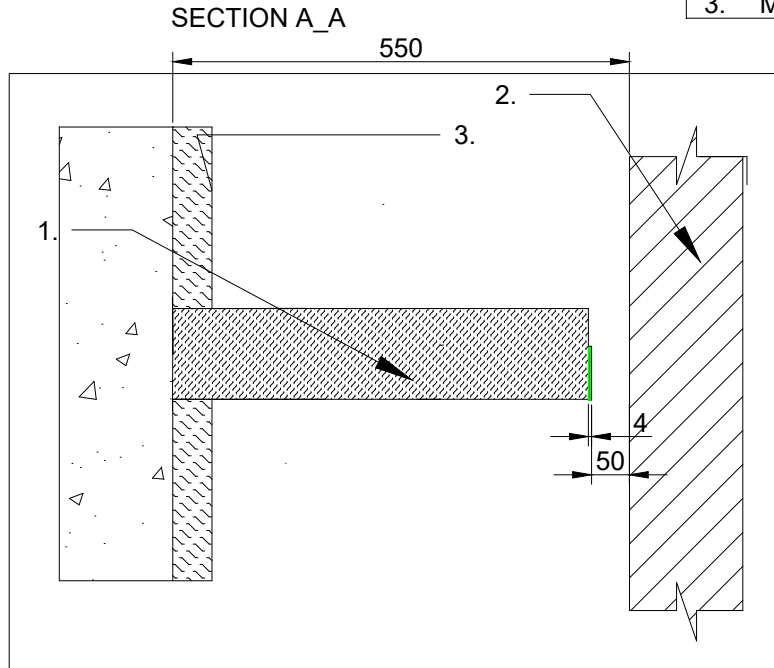
Warrington Fire 429927
Integrity 90minutes
Insulation 90minutes
In accordance with TGD 19



Silverliner OSCB 4 Up To 355mm - 550mm void

KEY

1. 120mm thick Silverliner OSCB - 50mm air gap- Overall gap size up to 354mm
2. External Building Envelope
3. Mineral Fibre Insulation



Warrington Fire 429927
Integrity 90minutes
Insulation 60 minutes
In accordance with TGD 19

