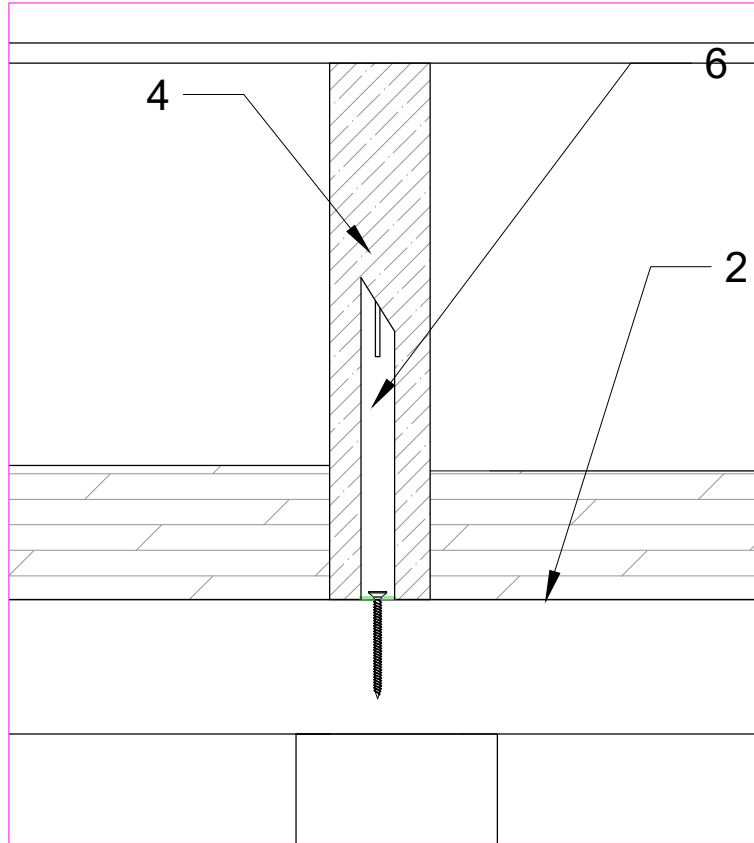
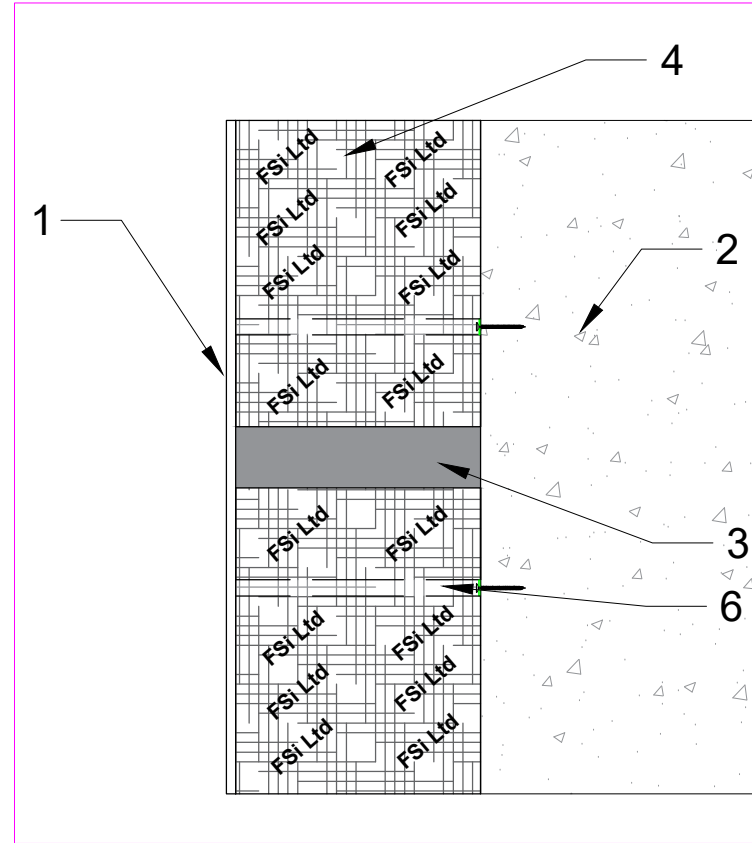


FSi Paraflam 75mm installed within a Rivet Fit System

Section



Profile



KEY:

1 - External Rainscreen Facade

2 - Supporting construction

3 - FSi Foil Tape

4 -FSi Paraflam Cavity Barrier System

6-Steel Bracket Fixings installed inline with the relevant FSi technical data sheet and typical installation guidelines

FSi Paraflam Cavity Barrier System

Paraflam® is a perimeter fire stop designed for curtain walling and cavity barrier external rainscreen facades. Paraflam® is a non-combustible stone wool based product with a foil facing which prevents fibre migration and provides an excellent seal. It is designed to reinstate the fire resistance of a compartment, as well as offering good thermal and acoustic performance.

FSi Ltd has provided this specification on the basis of data, information & site conditions given to FSi by the installer, the respective FSi product information & the existing level of technical knowledge. This specification relates to the expected performance of the proposed detail, were it to be subjected to the standardised test against which the judgement was made. The accuracy of this specification can only be guaranteed provided:

1. Only original FSi products as defined within this specification are used.
2. These specific products are used & installed only by strictly obeying the conditions & calculations mentioned in this specification, as well as all relevant technical instructions, operating manuals, setting manuals, installation manuals & all other FSi data sheets.
3. The proposed performance, listed prerequisites & criteria conform with actual existing site conditions & have been checked & agreed by the design team, installer & client prior to starting works.
4. FSi Product approvals refer to FSi products or systems only.
5. This detail can not be transferred to another project without consulting FSi.

Please Refer to our FSi Technical Data Sheets to ensure compatibility for this product, this can be found on our website <https://fsiltd.com/> or Contact our Technical Department at Technical@fsilimited.com

Date : 28/01/2021	Scale : Do not Scale
Drawing Number / Name : DET001-FSISTD1776	
Assessed By: Liam Blears Approved By: Revision Number: 1 Revision Date:N/A	



FSi Limited,
Westminster Industrial Estate
Tamworth Road, Measham, DE12 7DS, UK.
TEL: +44 (0)1530 515130
www.fsiltd.com