

Promat

World-class passive fire protection solutions

**Just like you, we never
compromise on safety.**

FULLY TESTED
UP TO 4 HOURS FIRE
RESISTANCE

**FULLY
CERTIFIED**

**With 60 years of experience,
we offer a complete range
of products and systems that
are fully tested and certified.**

Revision.2 / 2024-05

THE EXPERTS IN

Promat

We leave nothing to chance

Promat is the expert and worldwide reference in passive fire protection and high-performance insulation for the construction sector and a large number of industrial markets. We offer sustainable solutions that protect lives and assets, enhance comfort, optimise process efficiency, minimise the loss of space and energy and help reduce CO₂ emissions.

Our markets

60 years of expertise in passive fire protection and high performance insulation has led to the development of technologies and high-quality products that are used in a wide range of industries.



Construction

Large scale building projects need specific fire protection solutions for structural protection, compartmentation, fire stopping, ventilation & smoke extraction. Promat offers a complete solution that saves lives and valuable assets.



Tunnels

Tunnels need to be able to withstand extreme high temperatures. We developed special boards and sprays that not only protect the tunnel investment but also keep it maintenance-free for years to come. Learn more about our global tunnel business here.



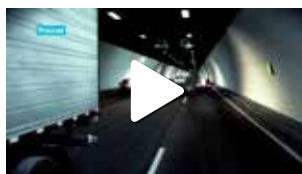
Industry

We help industry to develop safe products and produce them in a more sustainable way. We develop customized solutions in fireproofing, thermal and acoustic insulation which are used by a wide range of industries.



[Promat introduction video](#)

Click or scan QR code to watch videos



[Promat Tunnel introduction video](#)



[Promat Industry introduction video](#)

PASSIVE FIRE PROTECTION



We understand your regulations

Every new building project is unique. Although your local fire safety regulations are meant to cover the majority of buildings, it often pays off to study your regulations in depth to find the most efficient passive fire protection for your project. A good understanding of what is exactly required will save you time and money. When in doubt, don't hesitate to contact your local technical sales team. They can tell you exactly what is needed to collect the right documents and certificates and start building.



Promat fire testing methods

At our Research and Technology Center, we perform more than 200 fire tests a year to guarantee our products and systems will comply with the most stringent international standards and regulations. Our fire test lab methods go beyond what is regulatory demanded and **replicate the real-life context** where our products can be installed. When a Promat product passes the fire test, it gets an official certificate that guarantees supreme performance.



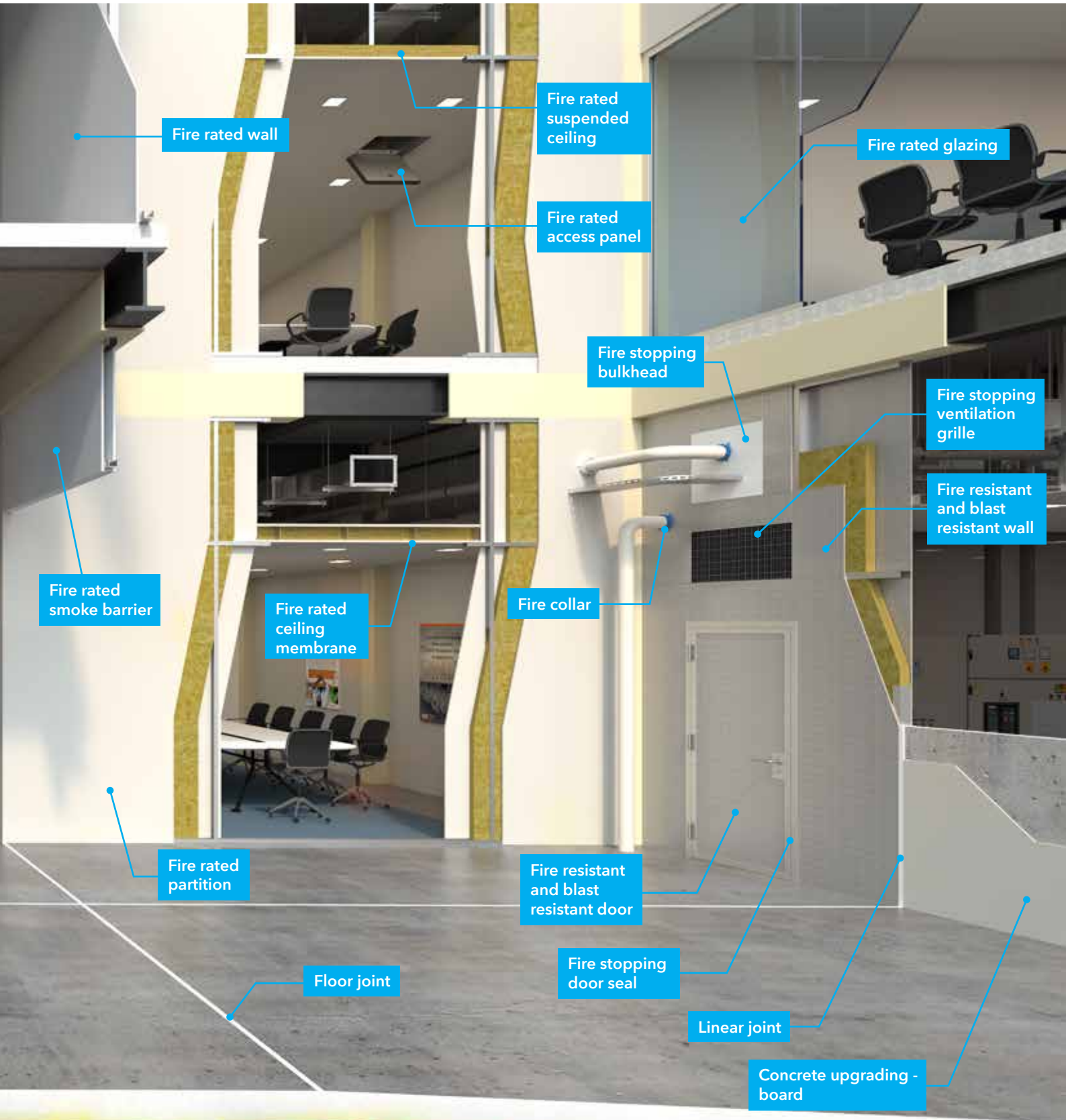
Our certificates

At Promat, we want to offer our products the highest level of testing and certification globally available. We add our own specific tests to the legally required tests to make sure our products and systems will protect well in real fire situations. **All our systems have been tested and have obtained certificates from the local authorities.**

Our comprehensive Passive Fire Protection systems are fully tested and certified by the local authority bodies



Promat is the global premium brand for passive fire protection. We offer you a complete portfolio of certified and tested products and systems to design and build a fully reliable fire safety solution for your building project. With more than 60 years of experience and know-how, we are ready to help you protect people, buildings and assets.



Fire rated wall

Fire rated suspended ceiling

Fire rated glazing

Fire rated access panel

Fire stopping bulkhead

Fire stopping ventilation grille

Fire resistant and blast resistant wall

Fire rated smoke barrier

Fire rated ceiling membrane

Fire collar

Fire rated partition

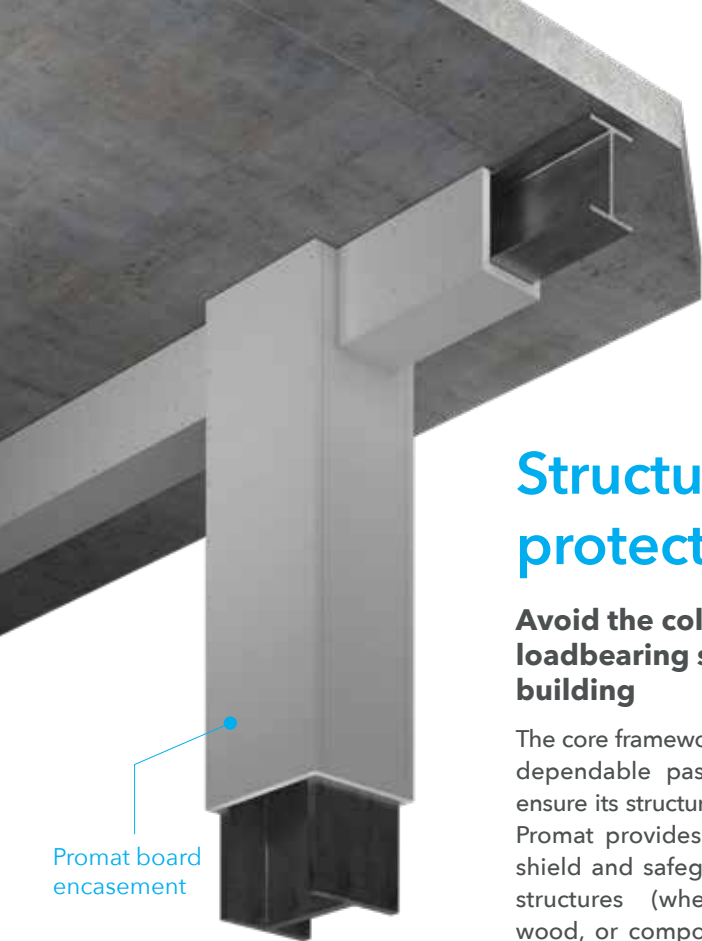
Fire resistant and blast resistant door

Fire stopping door seal

Floor joint

Linear joint

Concrete upgrading - board



Structural protection

Avoid the collapse of the loadbearing structure of the building

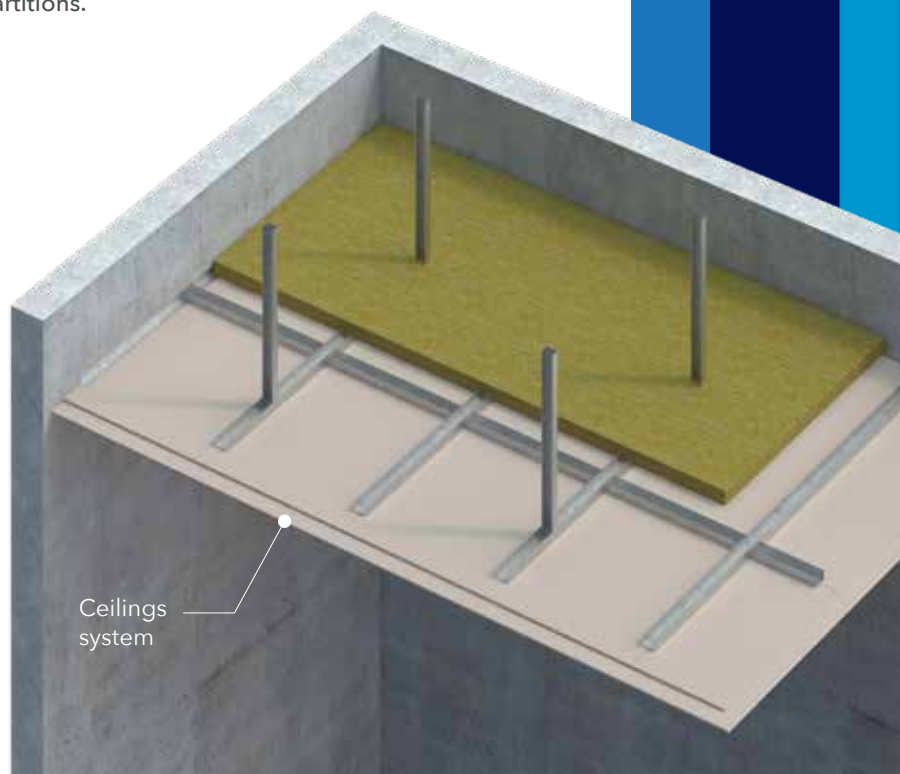
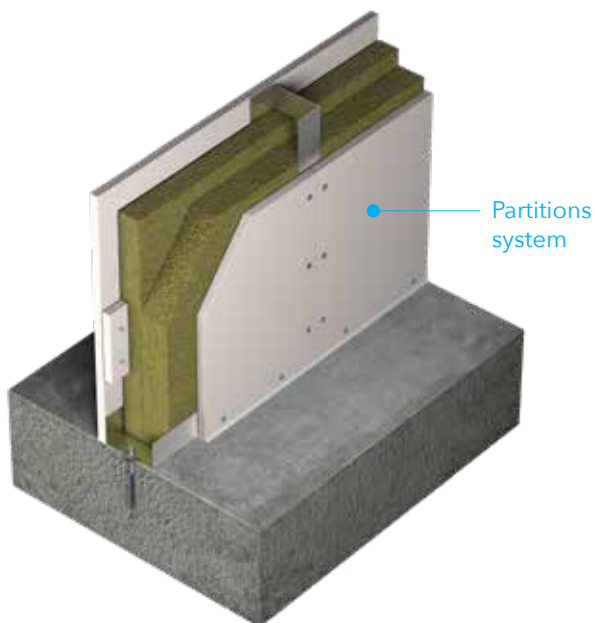
The core framework of a building requires dependable passive fire protection to ensure its structural integrity during a fire. Promat provides top-notch solutions to shield and safeguard your load-bearing structures (whether steel, concrete, wood, or composite) while adhering to local standards and considering aesthetic needs.



Compartmentation

Keeping the fire where it is

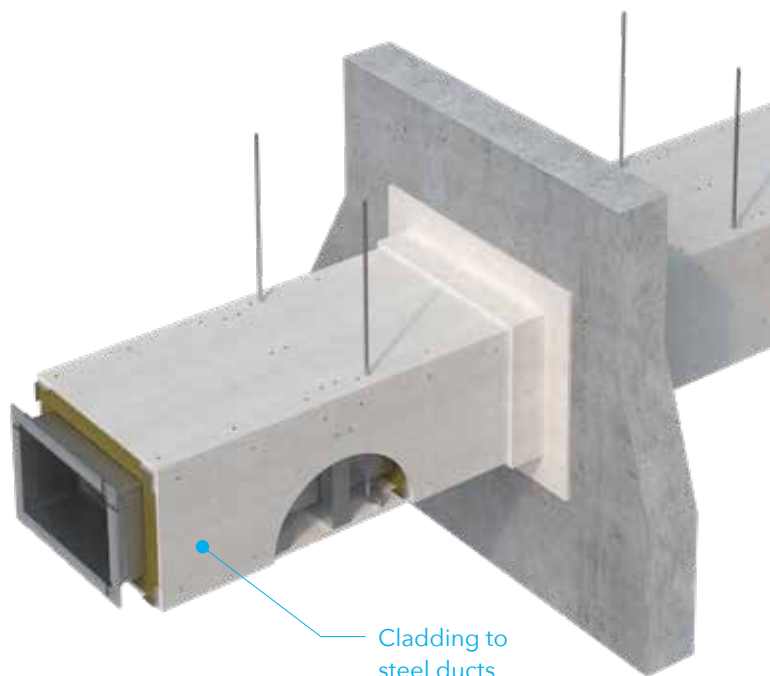
Compartmentalization is the optimal strategy for preventing the spread of fire within a building. Promat provides PROMATECT® fire resistant boards to architects, engineers, and installers. These boards not only offer easy installation but also deliver superior fire protection for ceilings, floors, and partitions.



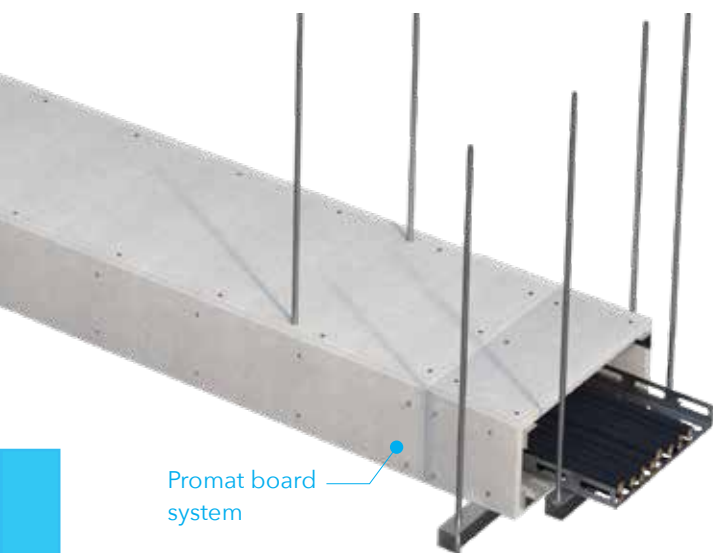
Smoke extraction and ventilation ducts

Eliminate of smoke and slow down the development of fire

Smoke extraction is a crucial element in controlling fire and protecting people. Research indicates that smoke primarily facilitates the spread of fire within the building. Moreover, hazardous gasses from the smoke can obstruct building exits. Promat offers an innovative and maintenance-free solution for smoke extraction and ventilation.



Cladding to steel ducts



Promat board system

M&E services enclosure

Safeguarding M&E services' functionality

It is necessary to ensure the continued function of essential electrical systems and services is maintained during fire, for a specified period of time, until all the building occupants have escaped. Electrical systems that need protection from fire may include:

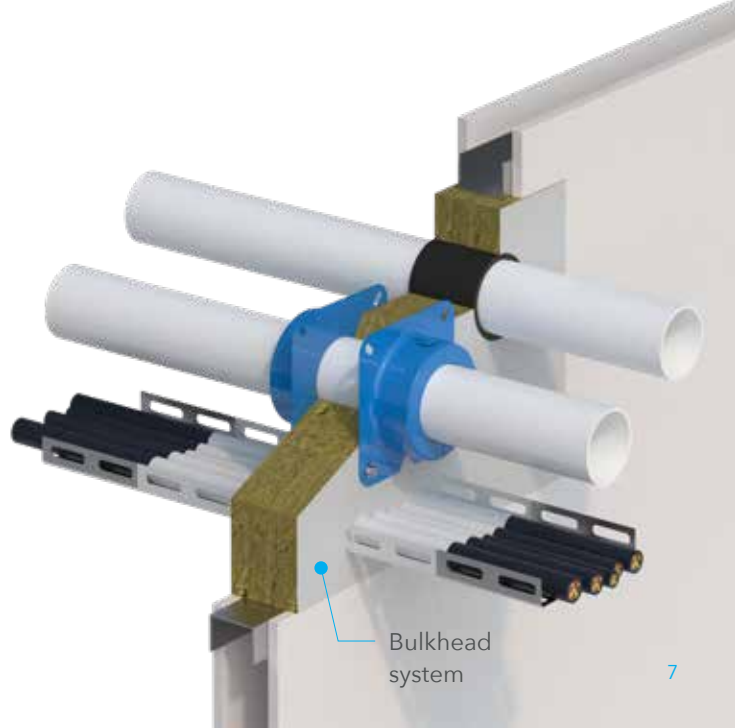
- Electrical operated fire alarms
- Emergency escape route lighting
- Electrically operated extinguishing systems
- Smoke extraction venting systems
- Power supply for fire service elevators in high rise buildings
- Water main supply and pumps servicing sprinkler systems

Fire stopping

Prevent the fire from spreading through the building

Promat offers a wide range of firestopping products for the protections of openings and service penetrations in fire resistant elements both horizontally or vertically.

These products include fire collars, fire resistant sealant, mortars and batts. We also have a number of solutions for the wrapping or protection of cable and metal pipe services.



Bulkhead system



www.promat.com



Promat Asia Pacific

Australia

Promat Australia Pty Ltd

South Australia office

1 Scotland Road
SA 5031 Mile End South
☎ 1800 Promat (776 628)
☎ +61 8 8352 1014
✉ PAPL.mail@etexgroup.com

New South Wales office

Unit 1, 175 Briens Road
Northmead, NSW 2152
☎ 1800 Promat (776 628)
☎ +61 2 9630 0258
✉ PAPL.mail@etexgroup.com

Victoria office

Unit 1, 355 Grieve Parade
Altona North, VIC 3025
☎ 1800 Promat (776 628)
☎ 1800 334 598
✉ PAPL.mail@etexgroup.com

Queensland office

80 Stradbroke St
Heathwood QLD 4110
☎ 1800 011 376
☎ 1800 334 598
✉ PAPL.mail@etexgroup.com

China

Promat Shanghai Ltd

No.2, Tai Hua Street
Yonghe Economic District
Guangzhou City
Guangdong Province 511356
☎ +86 20 8136 1167
✉ promat.cn@etexgroup.com

Hong Kong

Promat International (Asia Pacific) Ltd

Room 1010, C.C. Wu Building
302-308 Hennessy Road
Wanchai
☎ +852 2836 3692
✉ promat.hk@etexgroup.com

Malaysia

Etex Malaysia Sdn Bhd

Unit 19-02-01, Level 2, Wisma Tune
19 Lorong Dungun, Damansara Heights
50490 Kuala Lumpur
☎ +60 3 2095 8555
✉ promat.my@etexgroup.com

Singapore

Promat Building System Pte Ltd

10 Science Park Road, #03-02 The Alpha
Singapore Science Park II
117684 Singapore
☎ +65 6776 7635
✉ promat.sg@etexgroup.com

- The technical data provided in this publication is based on mean values prevalent at time of publication and is thus subject to fluctuation. It should not be regarded as a guarantee to system performance.
- All data contained herein conforms to and frequently surpasses generally accepted fire protection standards recognised by most professional fire science practitioners and regulatory authorities worldwide. The same general principle is equally applicable to all Promat products and systems. Promat has access to a considerable body of test authentication data and this can be provided on a complimentary basis upon request. It should be noted however that this publication replaces all previous editions in its entirety.
- This document is protected by International copyright laws. Reproduction and distribution in whole or in part without prior written permission is strictly prohibited. PROMAT, PROMATECT and logos are registered trademarks of Etex NV or an affiliate thereof in Asia Pacific. Any use without authorisation is prohibited and may violate trademark laws.

About Etex

Etex is a global building material manufacturer and pioneer in lightweight construction. Etex wants to inspire people around the world to build living spaces that are ever more safe, sustainable, smart and beautiful.

Founded in 1905, headquartered in Zaventem, Belgium, Etex is a family-owned company with more than 13,500 employees globally. It operates more than 160 sites in 45 countries and recorded a revenue of EUR 3.7 billion in 2022. Etex fosters a collaborative and caring culture, a pioneering spirit and a passion to always do better for its customers.

Etex has five R&D centres supporting five global divisions:

- Building Performance: dry construction solutions including plasterboards and fibre cement boards, plasters and formulated products, passive fire protection and associated products.
- Exteriors: a range of aesthetic fibre cement materials for use in agriculture, architectural and residential exteriors.
- Industry: fire protection and high-performance insulation products for the construction and OEM (Original Equipment Manufacturer) industries.
- Insulation: glass mineral wool and extruded polystyrene (XPS) for thermal and acoustic insulation.
- New Ways: high-tech offsite modular solutions based on wood and steel framing.

Etex's global portfolio includes leading commercial brands such as Promat, Kalsi, Siniat, Equitone, Eternit, Cedral, Durlock, Gyplac, Pladur, Superboard and URSA.

Etex is Inspiring Ways of Living, for more information, please visit our website: www.etexgroup.com

