

Promat



Ventilation &
smoke extraction

SUPABOARD®

**240 minutes fire integrity
enclosure system for utility pipe**

Technical manual

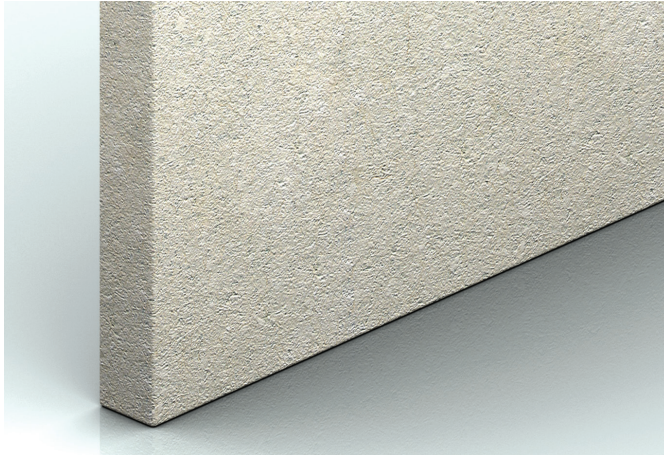


www.promat.com

etex inspiring ways
of living

SUPABOARD®

Fire protective construction board



Product description

SUPABOARD® is a non combustible matrix engineered mineral board reinforced with selected fibres and fillers. It does not contain formaldehyde.

SUPABOARD® is beige in colour. The front face is smooth and is suitable for any forms of architectural/finishing treatment; the reverse face is sanded. The board can be left undecorated or easily finished with paints, wallpapers or tiles.

SUPABOARD® is resistant to effects of moisture and will not physically deteriorate in a damp or humid environment. Whilst its performance characteristics are not degraded by moisture or aging, SUPABOARD® is not designed for application in areas subject to continual damp or high temperatures.

Material properties

General description	Calcium Silicate board made with Mineral Matrix Engineering technology
Surface condition & appearance	Beige colour Front face: smooth Back face: sanded
Nominal dry density (average)	Nominal 1000kg/m ³
Moisture Content	Approx 8.0% (may change depending on ambient Relative Humidity)
Alkalinity	pH 9
Thickness tolerance	-0.5mm, +1mm (standard thickness of boards)
Dimension tolerance	±5mm (standard board dimensions)

Advantages

- Resistant to the effects of moisture
- Not physically deteriorate when used in damp or humid conditions
- Performance characteristics are not degraded by age or moisture

Fire Resistant Applications

- Partitions & External Walls
- Ductwork
- M&E Services Enclosures
- Cavity & Smoke Barriers

Static Values (deflection $f \leq l/250$, safety factor $n \geq 3$)

Modulus of Elasticity E	Flexural Strength F	Tensile strength T	Compressive strength \perp
Longitudinal: 4599N/mm ² Transverse: 3817N/mm ²	Longitudinal: 7.52N/mm ² Transverse: 5.15N/mm ²	Longitudinal: 5.99N/mm ² Transverse: 5.17N/mm ²	7.76 N/mm ²

Reaction to Fire & Thermal Properties

Combustibility	Surface burning	Thermal conductivity
A1 Classification: EN 13501-1 Non-combustible: BS 476: Part 4 AS 1530: Part 1	Class 1: BS 476: Part 7 Class 0: AS 1530: Part 3	0.136W/m ² K

SUPABOARD®

Fire protective construction board

Standard thickness	Standard dimension	Number of boards per pallet	Surface area per pallet	Weight of boards per m ²	Weight per pallet
9mm	2440mm x 1220mm	61	181m ²	Approx. 9kg	Approx. 1,760kg
12mm	2440mm x 1220mm	46	137m ²	Approx. 12kg	Approx. 1,775kg
15mm	2440mm x 1220mm	36	107.m ²	Approx. 15kg	Approx. 1,733kg

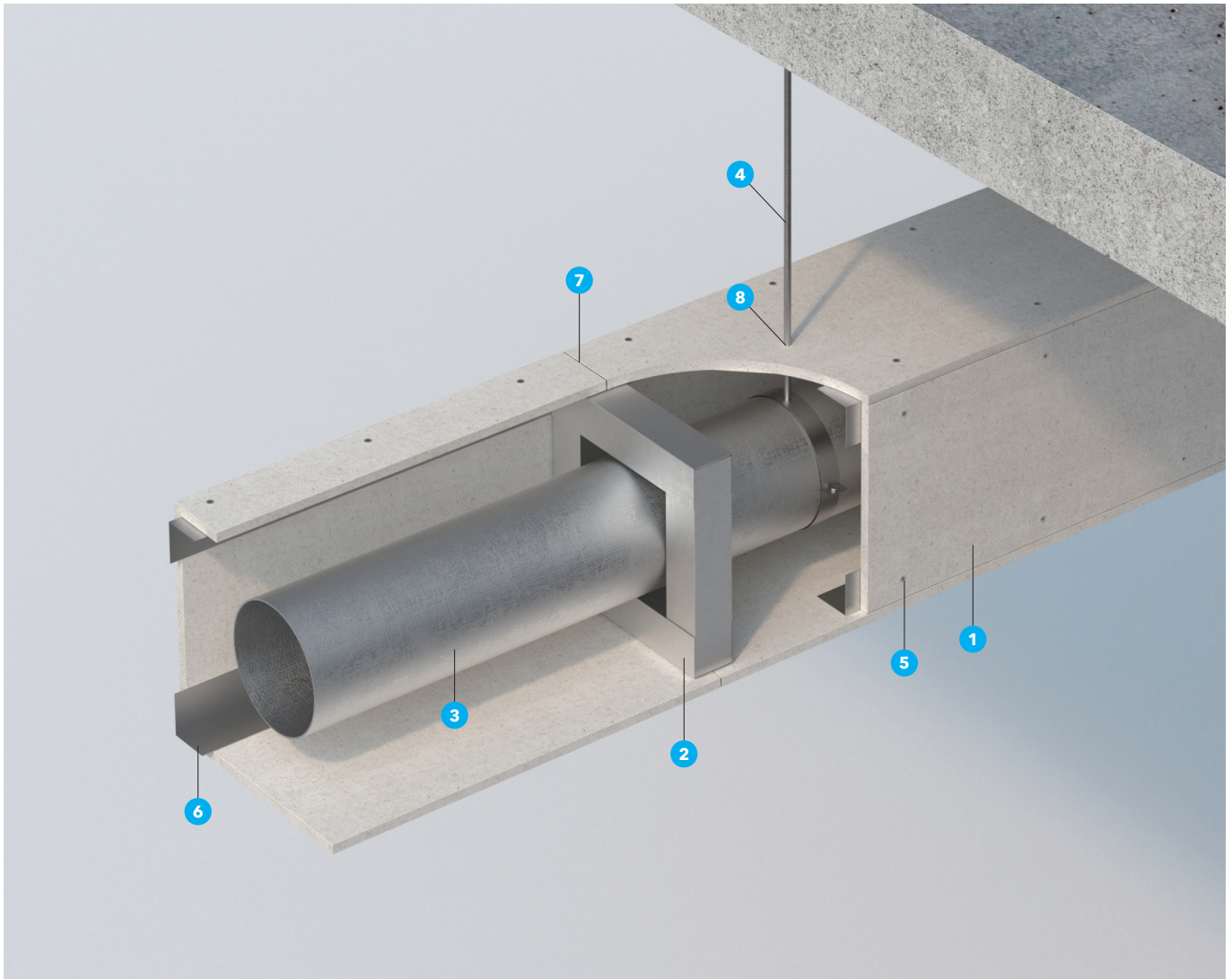
All physical and mechanical values are averages based on standard production and tested according to internal procedures. The typical values are given for guidance. The figures can change dependent on the test methods used. If a particular value is of prime importance for a specification, please consult Promat Technical Department.

Manufacturing Certification

SUPABOARD® is manufactured under a quality management system certified in accordance with ISO 9001:2015. The manufacturing site is also certified to meet the environmental standards of ISO 14001: 2015 and the occupational health & safety requirements of ISO 45001:2018.

SUPABOARD® 240 minutes fire integrity enclosure system for utility pipe

Up to 240/240/60 fire resistance in accordance with the requirements of BS 476: Part 20: 1987 and EN 13501-1: 2007



1. One layer of SUPABOARD® 9mm thick.
2. Steel channel collar coincides with butt-joints at 1200mm centres:
 - I) U 50 x 25 x 0.5mm enclosure width up to 100mm
 - II) U 50 x 50 x 0.6mm enclosure width above 100mm
3. Utility steel pipe.
4. M12 steel hanger rod.
5. M4 self-tapping screws at nominal 200mm centres.
6. Steel corner angles:
 - I) L 30 x 30 x 0.5mm enclosure width up to 100mm
 - II) L 50 x 50 x 0.6mm enclosure width above 100mm
7. Any undulating gaps between the interfacing board and masonry substrate shall be sealed with PROMASEAL®-A Acrylic Sealant.
8. Penetration gap seal with PROMASEAL®-A Acrylic Sealant.



Promat

Australia

Promat Australia Pty Ltd

South Australia office

1 Scotland Road
SA 5031 Mile End South
☎ 1800 Promat (776 628)
☎ +61 8 8352 1014
✉ PAPT.mail@etexgroup.com

New South Wales office

Unit 1, 175 Briens Road
Northmead, NSW 2152
☎ 1800 Promat (776 628)
☎ +61 2 9630 0258
✉ PAPT.mail@etexgroup.com

Victoria office

Suite 205, 198 Harbour Esplanade
Docklands, VIC 3008
☎ 1800 Promat (776 628)
☎ 1800 334 598
✉ PAPT.mail@etexgroup.com

Queensland office

433 Logan Road
Stones Corner, QLD 4120
☎ 1800 011 376
☎ 1800 334 598
✉ PAPT.mail@etexgroup.com

China

Promat Shanghai Ltd

No.2, Tai Hua Street
Yonghe Economic District
511356 Guangzhou Guangdong
☎ +86 20 8136 1167
☎ +86 20 3222 5275
✉ info@promat.com.cn

Hong Kong

Promat International (Asia Pacific) Ltd

Room 1010, C.C. Wu Building
302-308 Hennessy Road,
Wanchai
☎ +852 2836 3692
✉ promat.hk@etexgroup.com

Malaysia

Etex Malaysia Sdn Bhd

(Formerly known as Promat (Malaysia) Sdn. Bhd.)
Unit 19-02-01, Level 2, Wisma Tune
19 Lorong Dungun, Damansara Heights
50490 Kuala Lumpur
☎ +60 3 2095 8555
✉ promat.my@etexgroup.com

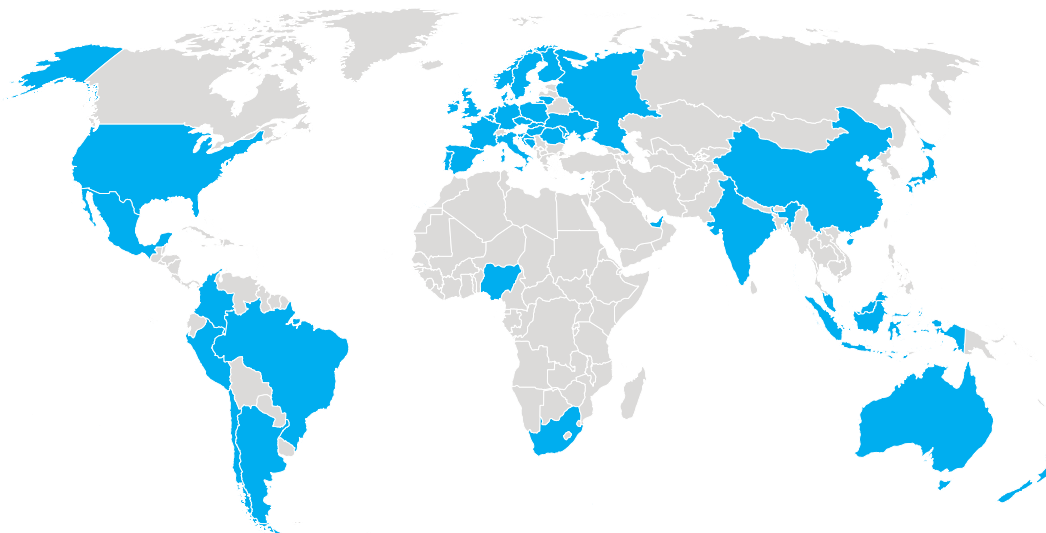
Singapore

Promat Building System Pte Ltd

10 Science Park Road, #03-14 The Alpha
Singapore Science Park II
117684 Singapore
☎ +65 6776 7635
✉ promat.sg@etexgroup.com

www.promat.com

- The technical data provided in this publication is based on mean values prevalent at time of publication and is thus subject to fluctuation. It should not be regarded as a guarantee to system performance.
- All data contained herein conforms to and frequently surpasses generally accepted fire protection standards recognised by most professional fire science practitioners and regulatory authorities worldwide. The same general principle is equally applicable to all Promat products and systems. Promat has access to a considerable body of test authentication data and this can be provided on a complimentary basis upon request. It should be noted however that this publication replaces all previous editions in its entirety.
- This document is protected by International copyright laws. Reproduction and distribution in whole or in part without prior written permission is strictly prohibited. PROMAT, PROMASEAL, SUPABOARD and logos are registered trademarks of Etex NV or an affiliate thereof in Singapore. Any use without authorisation is prohibited and may violate trademark laws.



About Etex

Etex is an international building materials specialist; the company wants to inspire people around the world to build living spaces that are ever more safe, sustainable, smart and beautiful. Founded since 1905 and headquartered in Belgium, Etex currently operates in 101 production sites in 42 countries with over 13,000 employees globally.

Etex fosters a collaborative and caring culture, a pioneering spirit and a passion to always do better for its customers. Building on its experience and global market needs, the company strives to improve its customers quality of living with ever more effective lightweight solutions.

Its three R&D centres support four global sales divisions:

- Building Performance: dry construction solutions including plasterboards and fibre cement boards, plasters and formulated products, passive fire protection and associated products.
- Exteriors: a range of aesthetic fibre cement materials for use in agriculture, architectural and residential exteriors.
- Industry: fire protection and high performance insulation products for the construction and OEM (Original Equipment Manufacturer) industries.
- New Ways: high-tech offsite modular solutions based on wood and steel framing.

Etex is Inspiring Ways of Living, for more information, please visit our website: www.etexgroup.com