

UL-EU CERTIFICATE

Certificate No. UL-EU-01223-CPR
Page 1/45
Date of Issue 2021-11-08

Certificate Holder Etex Building Performance Limited
Gordano House
Marsh Lane
Easton-in-Gordano
Bristol
BS20 0NE

Manufacturer A/008

Certified Product Type Fire Stop - Sealant
Product Trade Name Promaseal intumescent acrylic sealant
Trademark N/A

Rating/Classification See Appendix

Harmonised Technical Specifications EAD 350454-00-1104, September 2017/ EAD 350141-00-1106, September 2017 / EN 13501-2
Expiry date 2031-11-07



A handwritten signature in purple ink, consisting of a series of loops and a final flourish.

Authorized Certification Decision Maker
Chris Miles

This is to certify that representative samples of the Certified Product listed above have been investigated by Underwriters Laboratories to the Standard(s) indicated on this Certificate, in accordance with the UL Global Services Agreement and the UL-EU Mark Service Terms and Conditions ("Agreement"). The Certificate Holder is entitled to use the UL-EU Mark for the Certified Product listed on the certificate and manufactured at the production site(s) listed, in accordance with the terms of the Agreement. Only those products bearing the UL-EU Mark for Europe should be considered as being covered by UL's UL-EU Mark Service. This Certificate shall remain valid through the Expiration date, unless a Standard identified on this Certificate is amended or withdrawn prior to that date or there is a non-compliance with the Agreement.



Appendix UL-EU CERTIFICATE

Certificate No. UL-EU-01223-CPR
Page 2/45
Date of Issue 2021-11-08

This certificate relates to the use of Promaseal intumescent acrylic sealant for fire stopping where there are joints in or between walls & floors or service penetrations through floors and walls. The detailed scope is given in pages 3 to 44 of this Certificate. This shows the thickness and acceptable dimensions, substrates and orientations required to provide fire resistance periods of up to 240 minutes for differing services and wall/floor constructions.

The product is certificated on the basis of:

- i) Inspection and surveillance of factory production control by UL
- ii) Fire resistance test data in accordance with EN 1366-3: 2009 and 1366-4: 2006
- iii) Classification in accordance with EN 13501-2
- iv) Durability and Servicability as defined in EAD 350454-00-1104 and EAD 350141-00-1106

The movement capability of Promaseal intumescent acrylic sealant joint seals is restricted to $\leq 7.5\%$ unless specifically stated within the tables below

The durability class of Promaseal intumescent acrylic sealant is Type X - Intended for use in conditions exposed to weathering and all lower classes



Appendix UL-EU CERTIFICATE

Certificate No. UL-EU-01223-CPR
 Page 3/45
 Date of Issue 2021-11-08

Product-type: Sealant		Intended use: Linear Joint & Gap Seal / Penetration Seal	
Assessment method	Essential characteristic	Product Performance	
BWR 2 Safety in case of fire			
EN 13501-1	Reaction to fire	No performance determined	
EN 13501-2	Resistance to fire	See pages 6 - 44	
BWR 3 Hygiene, health and environment			
Declaration of manufacturer & EN 16516	Content, emission and/or release of dangerous substances	Use categories: IA2 Declaration of manufacturer	
EN 1026:2000	Air permeability (material property)	See page 4	
EAD 350141-00-1106, Annex C & EN 12390-8	Water permeability (material property)	No performance determined	
BWR 4 Safety in use			
EOTA TR 001:2003	Mechanical resistance and stability	No performance determined	
EOTA TR 001:2003	Resistance to impact/movement	No performance determined	
EOTA TR 001:2003 ISO 11600 & EAD 350141-00-1106, Clause 2.2.13	Adhesion	7.5P*	
EAD 350141-00-1106, Clause 2.2.12	Durability	Type X	
EAD 350141-00-1106, Clause 2.2.13	Movement capacity	See pages 13, 14, 21, 22, 26 & 27	
EAD 350141-00-1106, Clause 2.2.14	Cycling of perimeter seals for curtain walls	No performance determined	
EAD 350141-00-1106, Clause 2.2.15	Compression set	No performance determined	
EAD 350141-00-1106, Clause 2.2.16	Linear expansion on setting	No performance determined	
BWR 5 Protection against noise			
EN 10140-1,2,4,5/ EN ISO 717-1	Airborne sound insulation	Rw(C;Ctr)= 63 (-1;-7) dB	
BWR 6 Energy economy and heat retention			
EN 12664, EN 12667, EN 12939, EN ISO 8990, EN ISO 6946, EN ISO 10456	Thermal properties	No performance determined	
EN ISO 12572, EN 12086, EN ISO 10456	Water vapour permeability	No performance determined	
* Applicable only to linear joint and gap seals			



Appendix UL-EU CERTIFICATE

Certificate No. UL-EU-01223-CPR
 Page 4/45
 Date of Issue 2021-11-08

Promaseal intumescent acrylic sealant: Air Permeability according to BS EN 1026				
Pressure (Pa)	Results under positive chamber pressure		Results under negative chamber pressure	
	Leakage (m ³ /h)	Leakage (m ³ /m ² / h)	Leakage (m ³ /h)	Leakage (m ³ /m ² / h)
50	0.0	0.0	0.0	0.0
100	0.0	0.0	0.0	0.0
150	0.0	0.0	0.1	2.8
200	0.0	0.0	0.1	2.8
250	0.0	0.0	0.1	2.8
300	0.0	0.0	0.0	0.0
450	0.1	2.8	0.1	2.8
600	0.1	2.8	0.1	2.8

Promaseal intumescent acrylic sealant: Analytical VOC Results				
Solid content % mass	Water content, % mass	Exempt compounds, % mass	VOC less water less exempt compounds, g/l	VOC limit g/l
76.8	2**	0***	350	750*

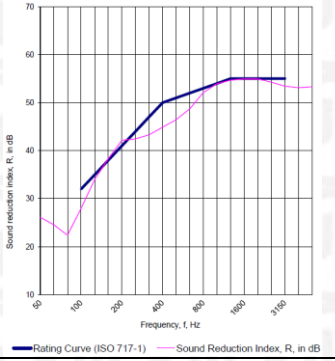
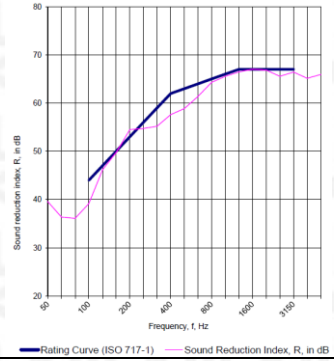
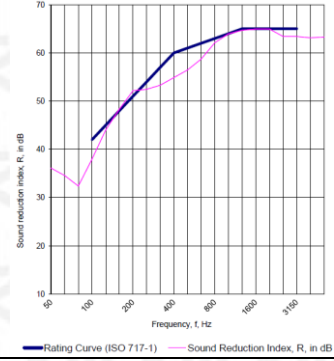
* VOC limit for other sealants
 ** Given by client
 *** No information about exempt compounds. Set to zero.



Appendix UL-EU CERTIFICATE

Certificate No. UL-EU-01223-CPR
 Page 5/45
 Date of Issue 2021-11-08

Promaseal intumescent acrylic sealant: Acoustic performance according to BS EN ISO 10140-2:2010

Configuration	$R_w(C; C_{tr})$ Specimen only, 1m ²	$R_w(C; C_{tr})$ Partition & Specimen, 14.2m ²	D_{new} Partition & Specimen, 14.2m ²
Promaseal intumescent acrylic sealant on source room side of wall, 15mm deep x 60mm wide x 2000mm high, with 55mm deep Stonewool (60kg/m ³)	51 (-1; -6) 	63 (-1; -7) 	61 (-1; -6) 
Promaseal intumescent acrylic sealant on source room side of wall, 25mm deep x 60mm wide x 2000mm high, with 55mm deep Stonewool (60kg/m ³)	51 (-1; -6)	63 (-1; -7)	61 (-1; -6)



Appendix UL-EU CERTIFICATE

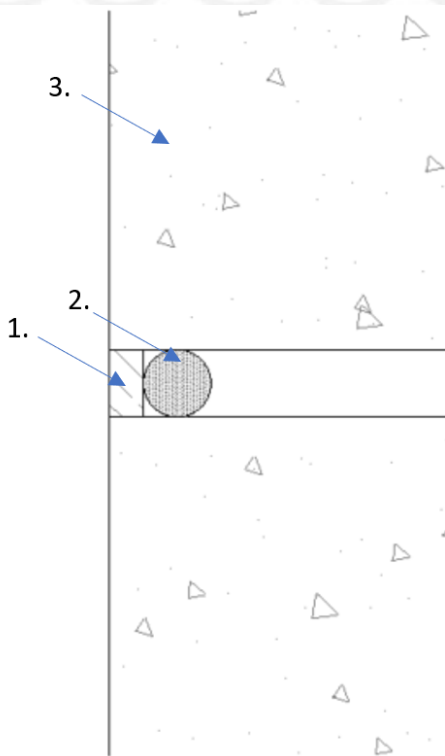
Certificate No. UL-EU-01223-CPR
 Page 6/45
 Date of Issue 2021-11-08

Linear Joint Seals

Rigid Walls Minimum Thickness 100mm

Single sided linear joint in wall

Concrete or masonry walls $\geq 100\text{mm}$ with a density of $\geq 650\text{kg/m}^3$



Key

1. Promaseal intumescent acrylic sealant Installed Either Side of Wall
2. Backing Material
3. Rigid Wall

Substrate	Depth (mm)	Backing Material	Classification
Concrete / masonry	25	PE backing rod, glass wool, stone wool or ceramic wool	E 120 – V – X – F – W 00 to W 50, EI 60 – V – X – F – W 00 to W 50
	2:1 ratio (width:depth) & Min. 10		E 120 – V – X – F – W 00 to W 50, EI 45 – V – X – F – W 00 to W 50

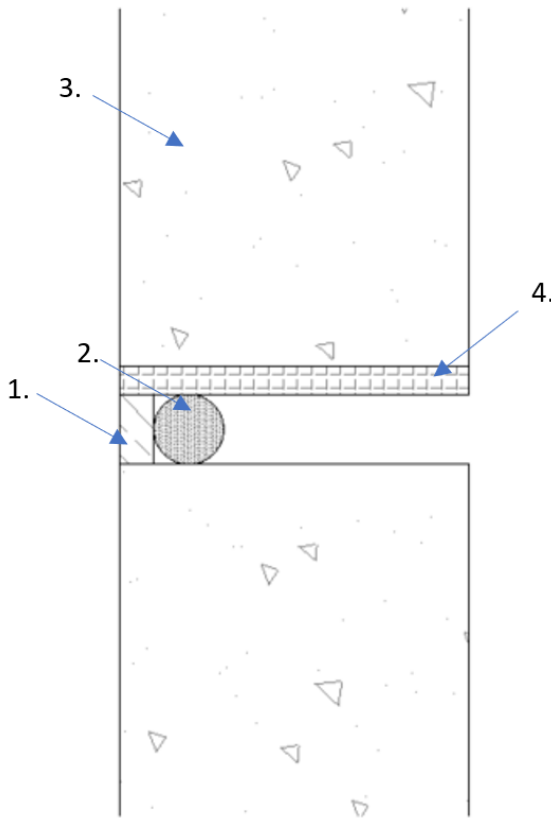


Appendix UL-EU CERTIFICATE

Certificate No. UL-EU-01223-CPR
 Page 7/45
 Date of Issue 2021-11-08

Single sided linear joint in steel faced wall

Steel - Concrete or masonry walls $\geq 100\text{mm}$ with a density of $\geq 650\text{kg/m}^3$



Key

1. Promaseal intumescent acrylic sealant Installed Either Side of Wall
2. Backing Material
3. Rigid Wall
4. Steel

Substrate	Depth (mm)	Backing Material	Classification
Concrete or masonry / steel	10	PE backing rod, glass wool, stone wool or ceramic wool	E 120 - V - X - F - W 00 to W 20, EI 20 - V - X - F - W 00 to W 20
	2:1 ratio (width:depth) & Min. 10		E 45 - V - X - F - W 00 to W 50, EI 20 - V - X - F - W 00 to W 50

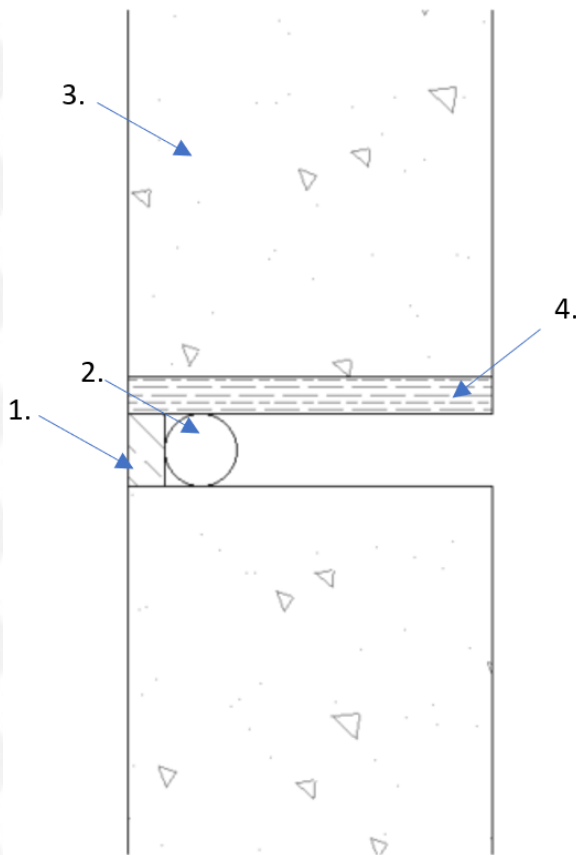


Appendix UL-EU CERTIFICATE

Certificate No. UL-EU-01223-CPR
 Page 8/45
 Date of Issue 2021-11-08

Single sided linear joint in timber faced wall

Timber - Concrete or masonry walls $\geq 100\text{mm}$ with a density of $\geq 650\text{kg/m}^3$



Key

1. Promaseal intumescent acrylic sealant Installed Either Side of Wall
2. Backing Material
3. Rigid Wall
4. Timber

Substrate	Depth (mm)	Backing Material	Classification
Concrete or masonry / timber	2:1 ratio (width:depth) & Min. 10	PE backing rod, glass wool, stone wool or ceramic wool	E 30 – V – X – F – W 00 to W 50, EI 20 – V – X – F – W 00 to W 50
	25		EI 45 – V – X – F – W 00 to W 50



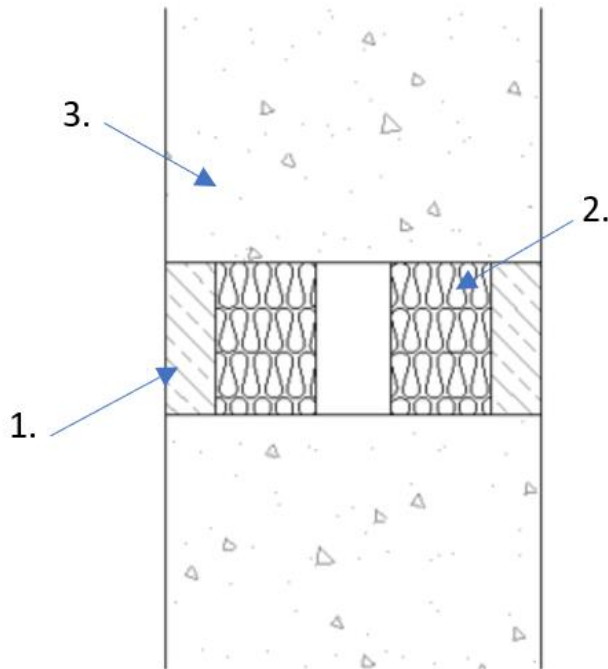
Appendix UL-EU CERTIFICATE

Certificate No. UL-EU-01223-CPR
 Page 9/45
 Date of Issue 2021-11-08

Rigid Walls Minimum Thickness 150mm

Double sided linear joint seal in wall

Concrete or masonry walls $\geq 150\text{mm}$ with a density of $\geq 650\text{kg/m}^3$



Key

1. Promaseal intumescent acrylic sealant
2. Backing Material
3. Rigid Wall

Substrate	Depth (mm)	Backing Material	Classification
Concrete / masonry	30	Stone wool or ceramic wool ($\geq 40\text{mm}$ $\geq 45\text{kg/m}^3$)	EI 240 - V - X - F - W 00 to W 60

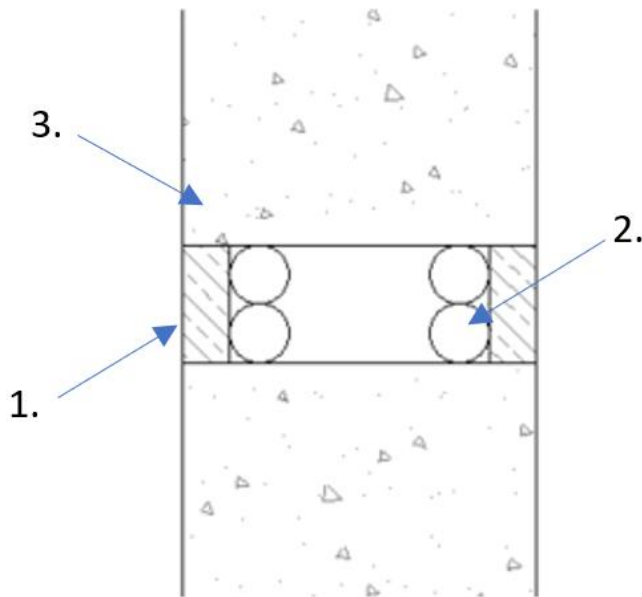


Appendix UL-EU CERTIFICATE

Certificate No. UL-EU-01223-CPR
 Page 10/45
 Date of Issue 2021-11-08

Double sided linear joint seal in wall

Concrete or masonry walls $\geq 150\text{mm}$ with a density of $\geq 650\text{kg/m}^3$



Key

1. Promaseal intumescent acrylic sealant
2. Backing Material
3. Rigid Wall

Substrate	Depth (mm)	Backing Material	Classification
Concrete / masonry	25	PE backing rod, glass wool, stone wool or ceramic wool	EI 240 – V – X – F – W 00 to W 50



Appendix UL-EU CERTIFICATE

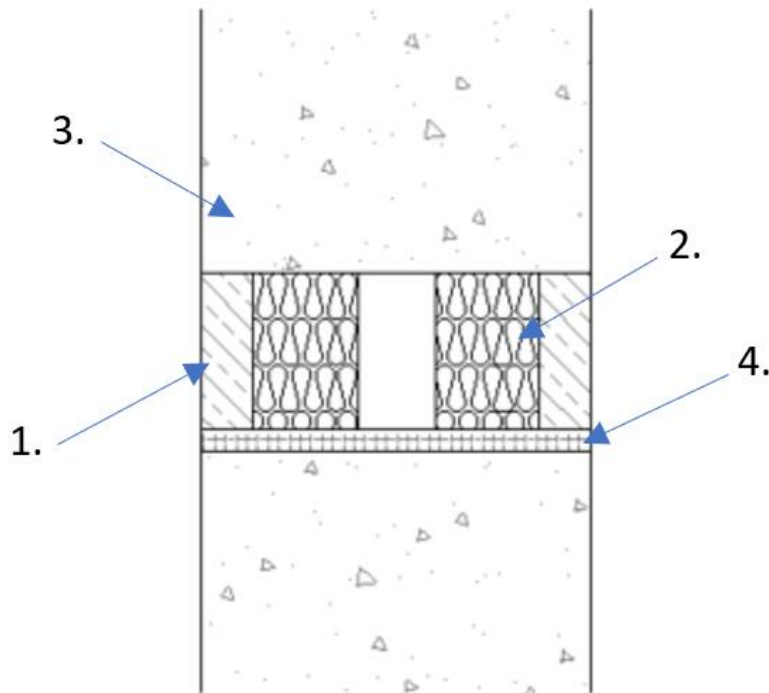
Certificate No. UL-EU-01223-CPR

Page 11/45

Date of Issue 2021-11-08

Double sided linear joint seal in steel faced wall

Steel - Concrete or masonry walls $\geq 150\text{mm}$ with a density of $\geq 650\text{kg/m}^3$



Key

1. Promaseal intumescent acrylic sealant
2. Backing Material
3. Rigid Wall
4. Steel

Substrate	Depth (mm)	Backing Material	Classification
Concrete or masonry / steel	30	Stone wool or ceramic wool ($\geq 40\text{mm} \geq 45\text{kg/m}^3$)	E 240 – V – X – F – W 00 to W 60, EI 60 – V – X – F – W 00 to W 60

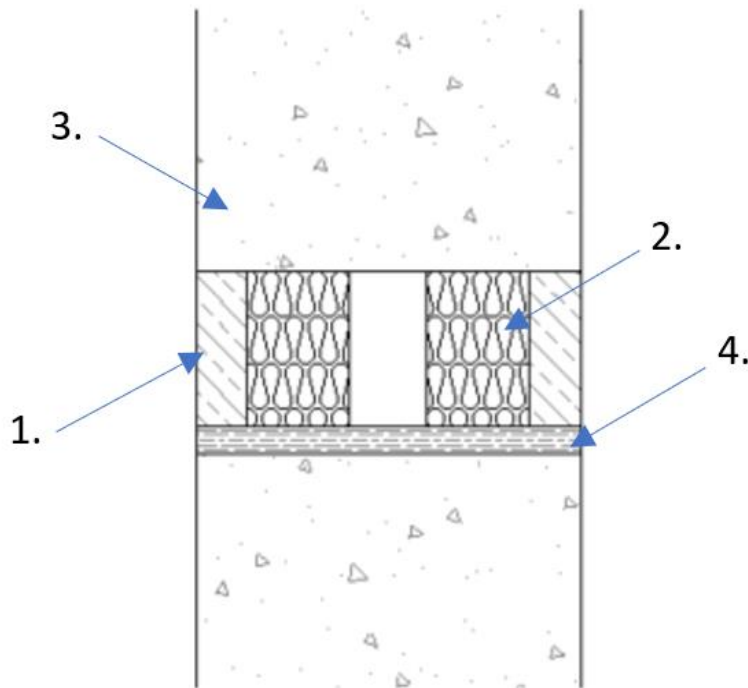


Appendix UL-EU CERTIFICATE

Certificate No. UL-EU-01223-CPR
 Page 12/45
 Date of Issue 2021-11-08

Double sided linear joint seal in timber faced wall

Timber - Concrete or masonry walls $\geq 150\text{mm}$ with a density of $\geq 650\text{kg/m}^3$



Key

1. Promaseal intumescent acrylic sealant
2. Backing Material
3. Rigid Wall
4. Timber

Substrate	Depth (mm)	Backing Material	Classification
Concrete or masonry / timber	30	Stone wool or ceramic wool ($\geq 40\text{mm} \geq 45\text{kg/m}^3$)	EI 60 – V – X – F – W 00 to W 60

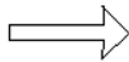
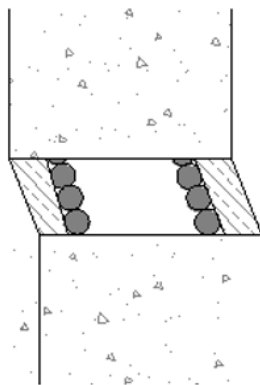
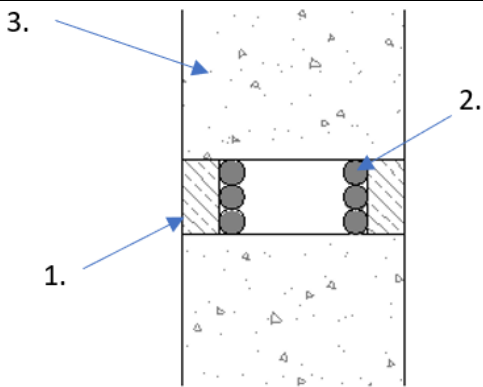


Appendix UL-EU CERTIFICATE

Certificate No. UL-EU-01223-CPR
 Page 13/45
 Date of Issue 2021-11-08

Double sided seal in wall with movement

Concrete or masonry walls $\geq 150\text{mm}$ with a density of $\geq 650\text{kg/m}^3$



Key

1. Promaseal intumescent acrylic sealant
2. Backing Material
3. Rigid Wall

Substrate	Depth (mm)	Backing Material	Classification
Concrete / masonry	20	PE backing rod, glass wool, stone wool or ceramic wool	E 240 – V – M 25 – F – W 00 to W 60, EI 120 – V – M 25 – F – W 00 to W 60

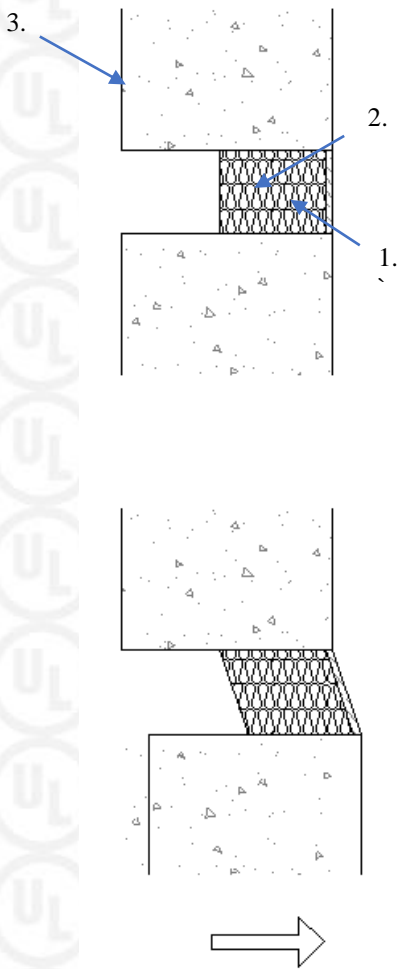


Appendix UL-EU CERTIFICATE

Certificate No. UL-EU-01223-CPR
 Page 14/45
 Date of Issue 2021-11-08

Single sided linear joint in wall with movement

Concrete or masonry walls $\geq 150\text{mm}$ with a density of $\geq 650\text{kg/m}^3$



Key

1. Promaseal intumescent acrylic sealant
Installed Either Side of Wall
2. Backing Material
3. Rigid Wall

Substrate	Depth (mm)	Backing Material	Classification
Concrete / masonry	5	Stone wool or ceramic wool ($\geq 75\text{mm}$ $\geq 60\text{kg/m}^3$, compressed to 60%)	E 240 – V – M 25 – F – W 00 to W 60, EI 120 – V – M 25 – F – W 00 to W 60



Appendix UL-EU CERTIFICATE

Certificate No. UL-EU-01223-CPR
 Page 15/45
 Date of Issue 2021-11-08

Rigid Floors Minimum Thickness 150mm

Single sided linear joint in floor from under side

Concrete or masonry floors $\geq 150\text{mm}$ with a density of $\geq 650\text{kg/m}^3$

		<p>Key</p> <ol style="list-style-type: none"> <u>Promaseal intumescent acrylic sealant</u> <u>Backing Material</u> <u>Rigid Floor</u> 	
Substrate	Depth (mm)	Backing Material	Classification
Concrete / masonry	25	PE backing rod, glass wool, stone wool or ceramic wool	E 240 – H – X – F – W 00 to W 50, EI 90 – H – X – F – W 00 to W 50
	2:1 ratio (width:depth) & Min. 10		E 240 – H – X – F – W 00 to W 50, EI 45 – H – X – F – W 00 to W 50

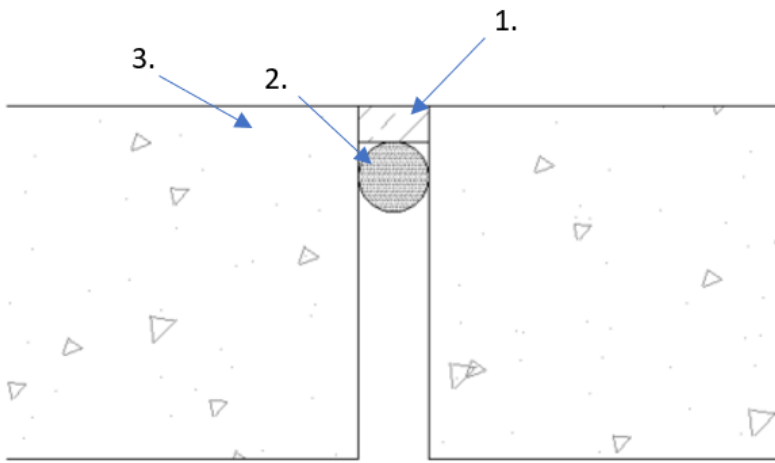


Appendix UL-EU CERTIFICATE

Certificate No. UL-EU-01223-CPR
 Page 16/45
 Date of Issue 2021-11-08

Single sided linear joint in floor from top side

Concrete or masonry floors $\geq 150\text{mm}$ with a density of $\geq 650\text{kg/m}^3$



Key

1. Promaseal intumescent acrylic sealant
2. Backing Material
3. Rigid Floor

Substrate	Depth (mm)	Backing Material	Classification
Concrete / masonry	25	PE backing rod, glass wool, stone wool or ceramic wool	E 240 – H – X – F – W 00 to W 50, EI 90 – H – X – F – W 00 to W 50
	2:1 ratio (width:depth) & Min. 10		E 240 – H – X – F – W 00 to W 50, EI 45 – H – X – F – W 00 to W 50



Appendix UL-EU CERTIFICATE

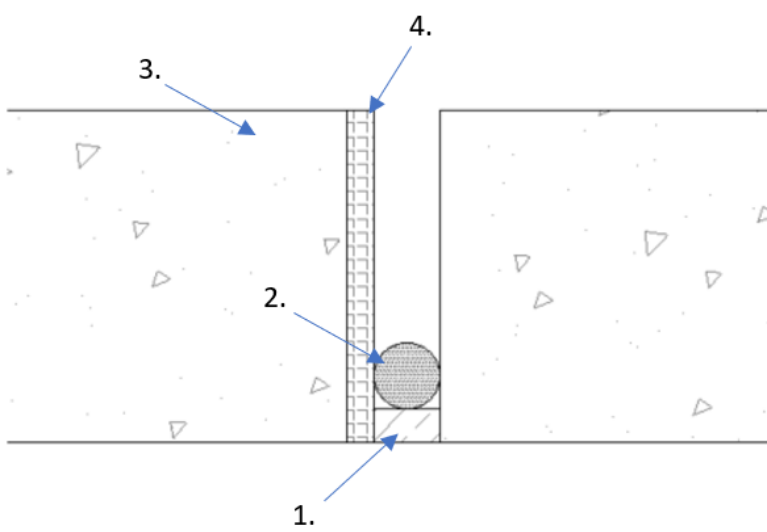
Certificate No. UL-EU-01223-CPR

Page 17/45

Date of Issue 2021-11-08

Single sided linear joint in steel faced floor from underside

Steel - Concrete or masonry floors $\geq 150\text{mm}$ with a density of $\geq 650\text{kg/m}^3$



Key

1. Promaseal intumescent acrylic sealant
2. Backing Material
3. Rigid Floor
4. Steel

Substrate	Depth (mm)	Backing Material	Classification
Concrete or masonry / steel	25	PE backing rod, glass wool, stone wool or ceramic wool	E 240 – H – X – F – W 00 to W 50, EI 90 – H – X – F – W 00 to W 50
	2:1 ratio (width:depth) & Min. 10		E 120 – H – X – F – W 00 to W 50, EI 30 – H – X – F – W 00 to W 50

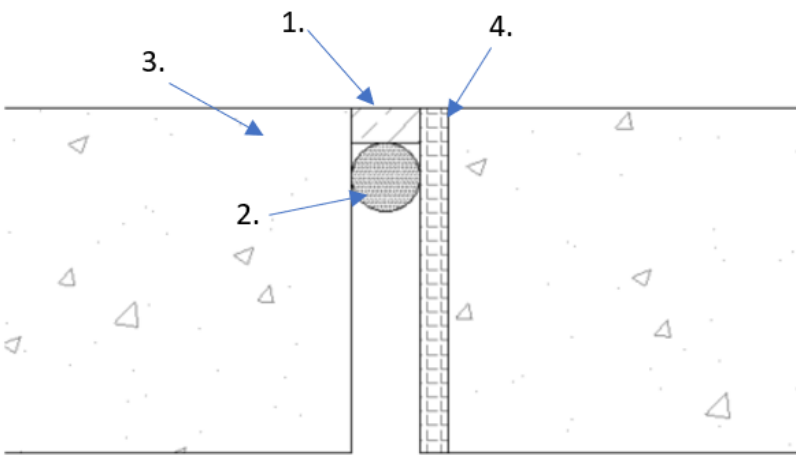


Appendix UL-EU CERTIFICATE

Certificate No. UL-EU-01223-CPR
 Page 18/45
 Date of Issue 2021-11-08

Single sided linear joint in steel faced floor from top side

Steel - Concrete or masonry floors $\geq 150\text{mm}$ with a density of $\geq 650\text{kg/m}^3$



Key

1. Promaseal intumescent acrylic sealant
2. Backing Material
3. Rigid Floor
4. Steel

Substrate	Depth (mm)	Backing Material	Classification
Concrete or masonry / steel	25	PE backing rod, glass wool, stone wool or ceramic wool	E 240 – H – X – F – W 00 to W 50, EI 90 – H – X – F – W 00 to W 50
	2:1 ratio (width:depth) & Min. 10		E 120 – H – X – F – W 00 to W 50, EI 30 – H – X – F – W 00 to W 50

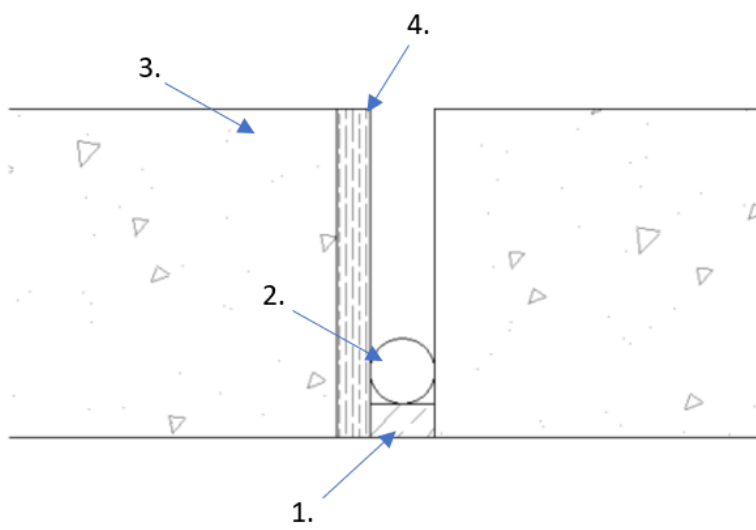


Appendix UL-EU CERTIFICATE

Certificate No. UL-EU-01223-CPR
 Page 19/45
 Date of Issue 2021-11-08

Single sided linear joint seal in timber faced floor from underside

Timber - Concrete or masonry floors $\geq 150\text{mm}$ with a density of $\geq 650\text{kg/m}^3$



Key

1. Promaseal intumescent acrylic sealant
2. Backing Material
3. Rigid Floor
4. Timber

Substrate	Depth (mm)	Backing Material	Classification
Concrete or masonry / timber	25	PE backing rod, glass wool, stone wool or ceramic wool	EI 45 – H – X – F – W 00 to W 50
	2:1 ratio (width:depth) & Min. 10		EI 30 – H – X – F – W 00 to W 50

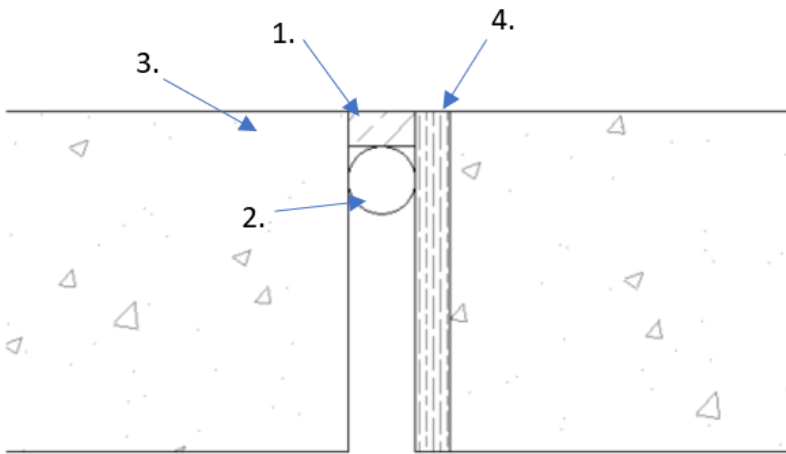


Appendix UL-EU CERTIFICATE

Certificate No. UL-EU-01223-CPR
 Page 20/45
 Date of Issue 2021-11-08

Single sided linear joint seal in timber faced floor from top side

Timber - Concrete or masonry floors $\geq 150\text{mm}$ with a density of $\geq 650\text{kg/m}^3$



Key

1. Promaseal intumescent acrylic sealant
2. Backing Material
3. Rigid Floor
4. Timber

Substrate	Depth (mm)	Backing Material	Classification
Concrete or masonry / timber	25	PE backing rod, glass wool, stone wool or ceramic wool	EI 45 – H – X – F – W 00 to W 50
	2:1 ratio (width:depth) & Min. 10		EI 30 – H – X – F – W 00 to W 50

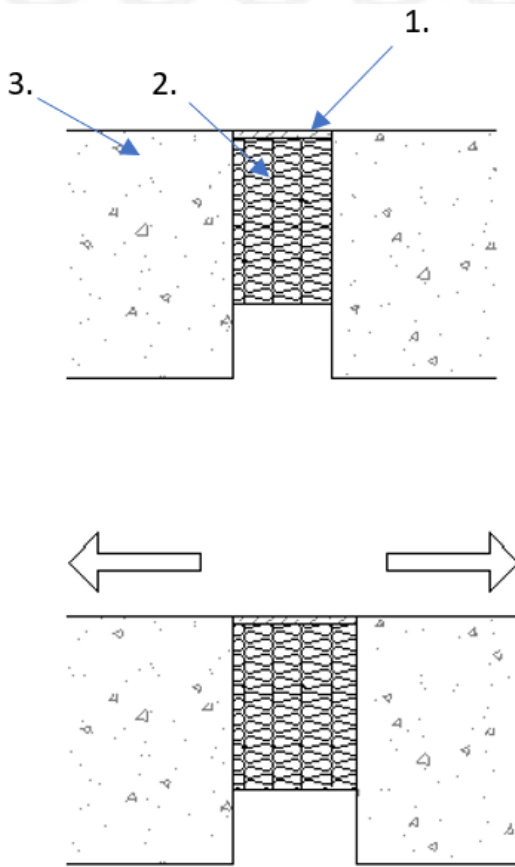


Appendix UL-EU CERTIFICATE

Certificate No. UL-EU-01223-CPR
 Page 21/45
 Date of Issue 2021-11-08

Single sided linear joint in floor from top side with movement

Concrete or masonry floors $\geq 150\text{mm}$ with a density of $\geq 650\text{kg/m}^3$



Key

1. Promaseal intumescent acrylic sealant
2. Backing Material
3. Rigid Floor

Substrate	Depth (mm)	Backing Material	Classification
Concrete / masonry	5	Stone wool or ceramic wool ($\geq 100\text{mm}$ $\geq 60\text{kg/m}^3$, compressed to 60%)	EI 240 – H – M 25 – F – W 00 to W 60

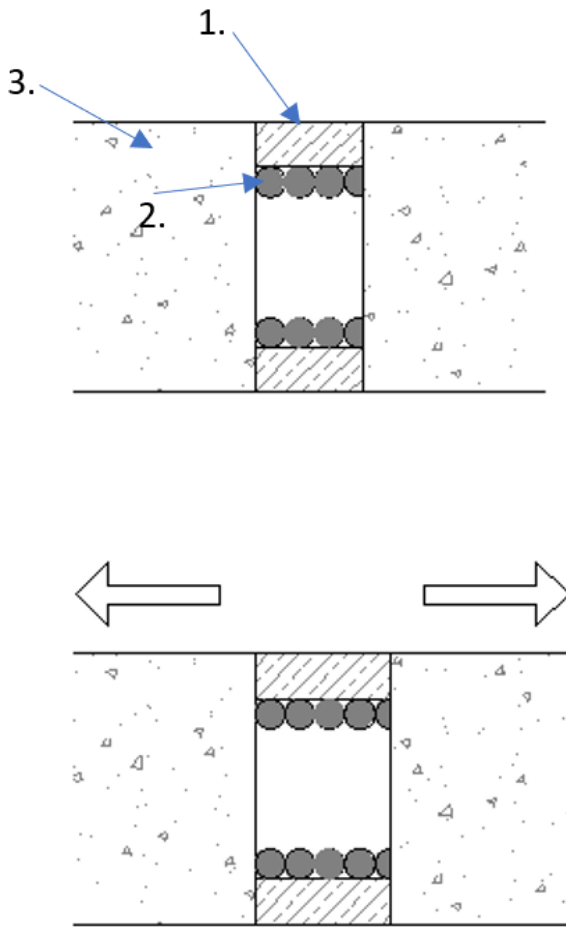


Appendix UL-EU CERTIFICATE

Certificate No. UL-EU-01223-CPR
 Page 22/45
 Date of Issue 2021-11-08

Double sided linear joint seal in floor with movement

Concrete or masonry floors $\geq 150\text{mm}$ with a density of $\geq 650\text{kg/m}^3$



Key

1. Promaseal intumescent acrylic sealant
2. Backing Material
3. Rigid Floor

Substrate	Depth (mm)	Backing Material	Classification
Concrete / masonry	20	PE backing rod, glass wool, stone wool or ceramic wool	E 240 – H – M 17 – F – W 00 to W 60, EI 60 – H – M 17 – F – W 00 to W 60



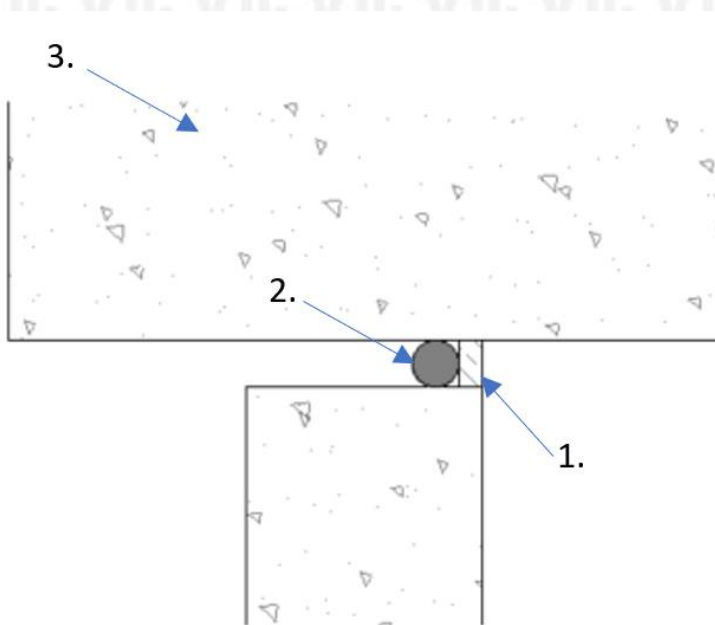
Appendix UL-EU CERTIFICATE

Certificate No. UL-EU-01223-CPR
 Page 23/45
 Date of Issue 2021-11-08

Head of Wall Minimum Thickness 150mm

Single sided head of wall joint in floor

Concrete or masonry walls & floors $\geq 150\text{mm}$ with a density of $\geq 650\text{kg/m}^3$



Key

1. Promaseal intumescent acrylic sealant Installed Either Side of Wall
2. Backing Material
3. Rigid Floor

Substrate	Depth (mm)	Backing Material	Classification
Concrete / masonry	25	PE backing rod, glass wool, stone wool or ceramic wool	E 240 – T – X – F – W 00 to W 50, EI 90 – T – X – F – W 00 to W 50
	2:1 ratio (width:depth) & Min. 10		E 240 – T – X – F – W 00 to W 50, EI 45 – T – X – F – W 00 to W 50

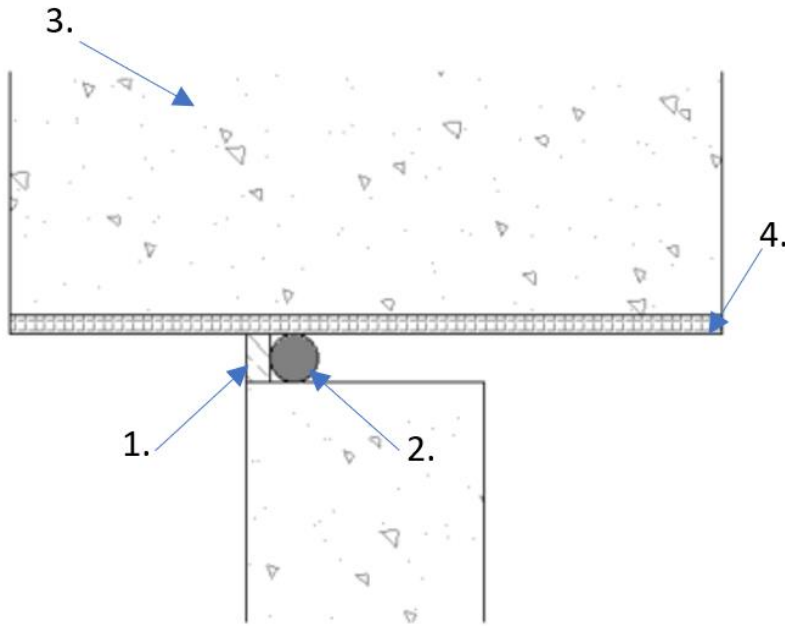


Appendix UL-EU CERTIFICATE

Certificate No. UL-EU-01223-CPR
 Page 24/45
 Date of Issue 2021-11-08

Single sided head of wall joint with steel face

Steel - Concrete or masonry walls & floors $\geq 150\text{mm}$ with a density of $\geq 650\text{kg/m}^3$



Key

1. Promaseal intumescent acrylic sealant Installed Either Side of Wall
2. Backing Material
3. Rigid Floor
4. Steel

Substrate	Depth (mm)	Backing Material	Classification
Concrete or masonry / steel	25	PE backing rod, glass wool, stone wool or ceramic wool	E 240 – T – X – F – W 50, EI 90 – T – X – F – W 50
	2:1 ratio (width:depth) & Min. 10		E 240 – T – X – F – W 00 to W 50, EI 30 – T – X – F – W 00 to W 50

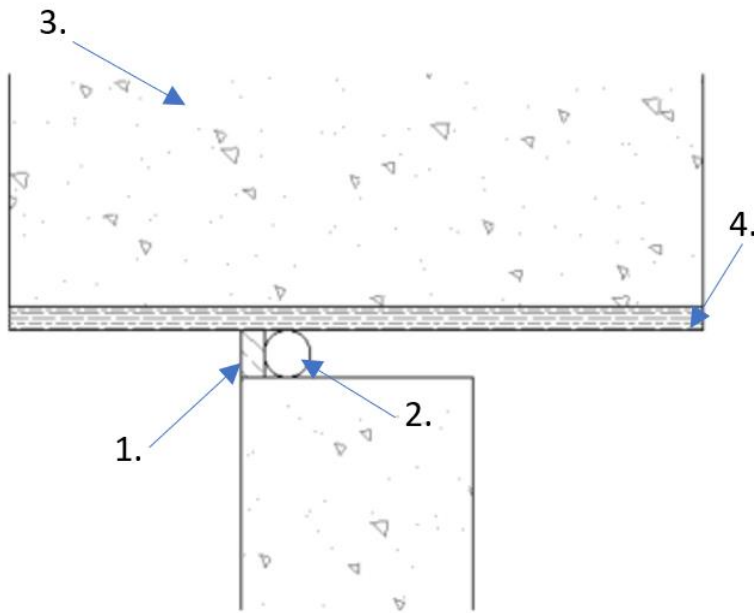


Appendix UL-EU CERTIFICATE

Certificate No. UL-EU-01223-CPR
 Page 25/45
 Date of Issue 2021-11-08

Single sided head of wall joint in timber face

Timber - Concrete or masonry walls & floors $\geq 150\text{mm}$ with a density of $\geq 650\text{kg/m}^3$



Key

1. Promaseal intumescent acrylic sealant Installed Either Side of Wall
2. Backing Material
3. Rigid Floor
4. Timber

Substrate	Depth (mm)	Backing Material	Classification
Concrete or masonry / timber	25	PE backing rod, glass wool, stone wool or ceramic wool	EI 45 – T – X – F – W 00 to W 50
	2:1 ratio (width:depth) & Min. 10		EI 30 – T – X – F – W 00 to W 50

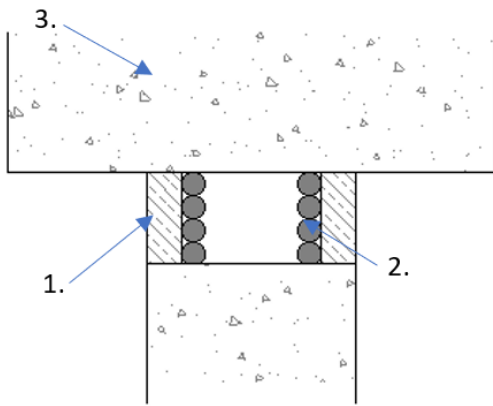


Appendix UL-EU CERTIFICATE

Certificate No. UL-EU-01223-CPR
 Page 26/45
 Date of Issue 2021-11-08

Double sided head of wall joint with movement

Concrete or masonry walls & floors $\geq 150\text{mm}$ with a density of $\geq 650\text{kg/m}^3$



Key

1. Promaseal intumescent acrylic sealant
2. Backing Material
3. Rigid Floor

Substrate	Depth (mm)	Backing Material	Classification
Concrete / masonry	20	PE backing rod, glass wool, stone wool or ceramic wool	E 240 – T – M 17 – F – W 00 to W 60, EI 60 – T – M 17 – F – W 00 to W 60

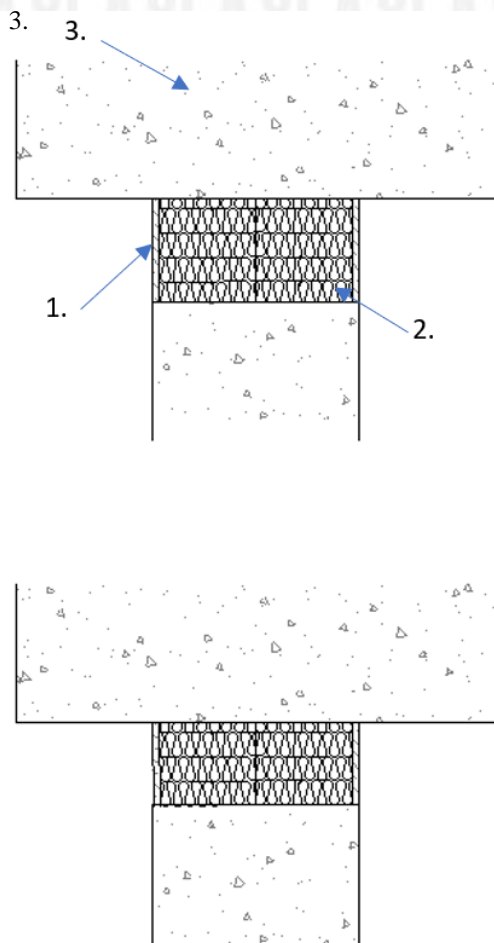


Appendix UL-EU CERTIFICATE

Certificate No. UL-EU-01223-CPR
 Page 27/45
 Date of Issue 2021-11-08

Double sided head of wall joint with movement

Concrete or masonry walls & floors $\geq 150\text{mm}$ with a density of $\geq 650\text{kg/m}^3$



Key

1. Promaseal intumescent acrylic sealant
2. Backing Material
3. Rigid Floor

Substrate	Depth (mm)	Backing Material	Classification
Concrete / masonry	5	Stone wool or ceramic wool ($\geq 70\text{mm}$ (x2) $\geq 60\text{kg/m}^3$, compressed to 60%)	EI 240 – T – M 25 – F – W 00 to W 60



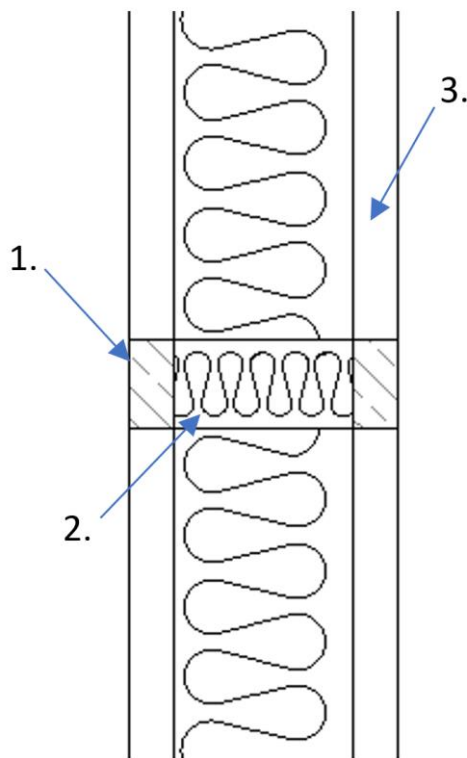
Appendix UL-EU CERTIFICATE

Certificate No. UL-EU-01223-CPR
 Page 28/45
 Date of Issue 2021-11-08

Flexible or Rigid Walls Minimum Thickness 75mm

Double sided linear joint in wall

Flexible or Rigid Walls ≥ 75 mm



Key

1. Promaseal intumescent acrylic sealant
2. Backing Material
3. Flexible wall

Substrate	Depth (mm)	Backing Material	Classification
Flexible / Flexible	12.5	Stone wool or ceramic wool (50mm 45kg/m ³)	E 60 – V – X – F – W 00 to W 25, EI 45– V – X – F – W 00 to W 25
Masonry / masonry			



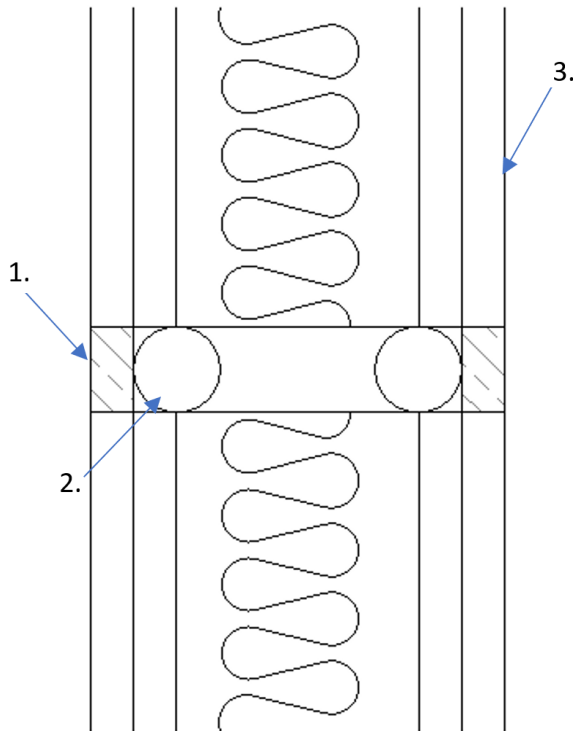
Appendix UL-EU CERTIFICATE

Certificate No. UL-EU-01223-CPR
 Page 29/45
 Date of Issue 2021-11-08

Flexible or Rigid Walls Minimum Thickness 120mm

Double sided linear joint in wall

Flexible or Rigid Walls $\geq 120\text{mm}$



Key

1. Promaseal intumescent acrylic sealant
2. Backing Material
3. Flexible Wall

Substrate	Depth (mm)	Backing Material	Classification
Flexible / Flexible	12.5	PE backing rod, glass wool, stone wool or ceramic wool	EI 120 – V – X – F – W 00 to W 20
Masonry / masonry			



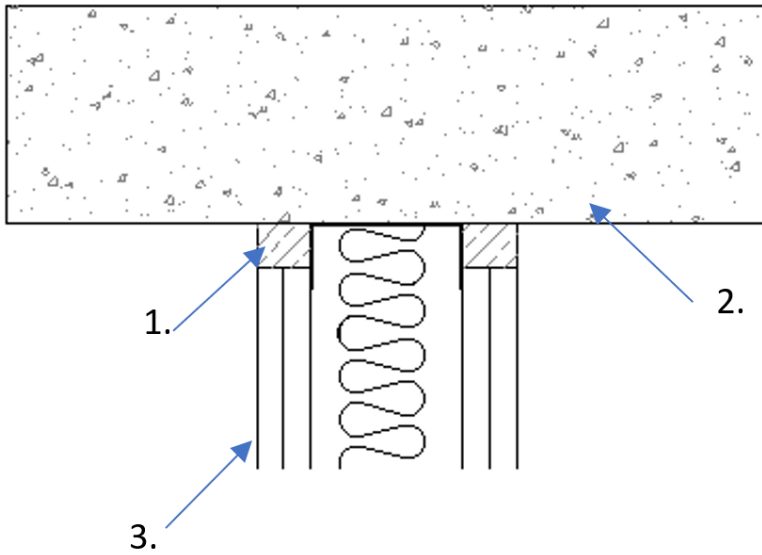
Appendix UL-EU CERTIFICATE

Certificate No. UL-EU-01223-CPR
 Page 30/45
 Date of Issue 2021-11-08

Flexible Head of Walls Minimum Thickness 120mm

Double sided head of wall joint

Flexible or Rigid Walls $\geq 120\text{mm}$



Key

1. Promaseal intumescent acrylic sealant
2. Rigid Floor
3. Flexible Wall

Substrate	Depth (mm)	Backing Material	Classification
Flexible / concrete	25	Steel head track	EI 120 – T – X – F – W 00 to W 20
Masonry / concrete			



Appendix UL-EU CERTIFICATE

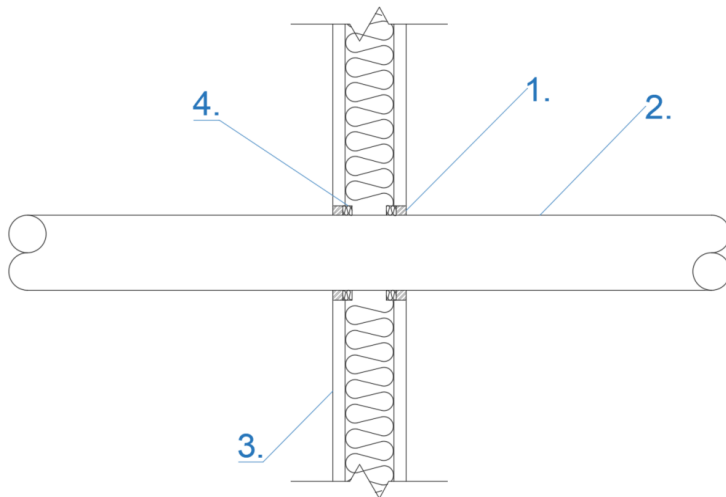
Certificate No. UL-EU-01223-CPR
 Page 31/45
 Date of Issue 2021-11-08

Penetration Seals

Flexible or Rigid Walls Minimum Thickness 75mm

Metallic pipes

Flexible or Rigid Walls ≥ 75 mm Lined/Unlined – Insulated/Uninsulated



Key

1. Promaseal intumescent acrylic sealant
2. Metallic Pipe
3. Flexible Wall
4. Backing Material

Penetration Service	Depth (mm)	Annular (mm)	Backing Material	Classification
Copper pipe ≤ 15 mm \varnothing , 0.7 – 14.2mm wall thickness	12	5-10	Stone wool or ceramic wool (≥ 10 mm ≥ 45 kg/m ³)	E 90 C/U, C/C, EI 60 C/U, C/C
Copper/Steel pipe 15 – 54mm \varnothing , 1.2 – 14.2mm wall thickness				E 90 C/U, C/C
Steel pipe 15mm \varnothing , 1 – 14.2mm wall thickness				EI 90 C/U, C/C
Steel pipe 15 - 76mm \varnothing , 2 – 14.2mm wall thickness				E 90 C/U, C/C, EI 20 C/U, C/C
Steel pipe 325mm \varnothing , 17.5mm wall thickness, insulated with stone wool ≥ 40 mm thick, ≥ 45 kg/m ³ (LI) min. 400mm length to both faces	10	25 (0 distance from aperture edge)	PE backing rod, glass wool, stone wool or ceramic wool	E 60 C/U, C/C, EI 30 C/U, C/C

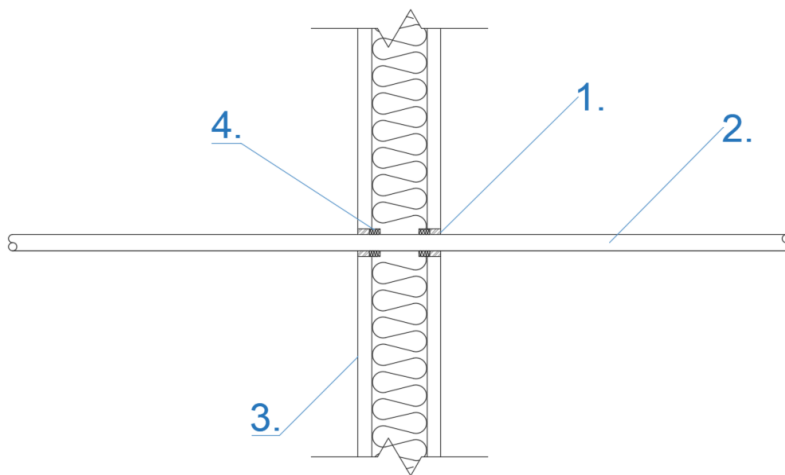


Appendix UL-EU CERTIFICATE

Certificate No. UL-EU-01223-CPR
 Page 32/45
 Date of Issue 2021-11-08

Single cables

Flexible or Rigid Walls $\geq 75\text{mm}$ Lined/Unlined – Insulated/Uninsulated



Key

1. Promaseal intumescent acrylic sealant
2. Single Cable
3. Flexible Wall
4. Backing Material

Penetration Service	Depth (mm)	Maximum Aperture Size (mm)	Backing Material	Classification
D1 cable*	10	100 Ø	PE backing rod, glass wool, stone wool or ceramic wool	E 60, EI 45
B cable*	12	25 Ø	Stone wool or ceramic wool (10mm 45kg/m ³)	E 90, EI 60

* As defined in EN 1366-3: 2009, Annex A

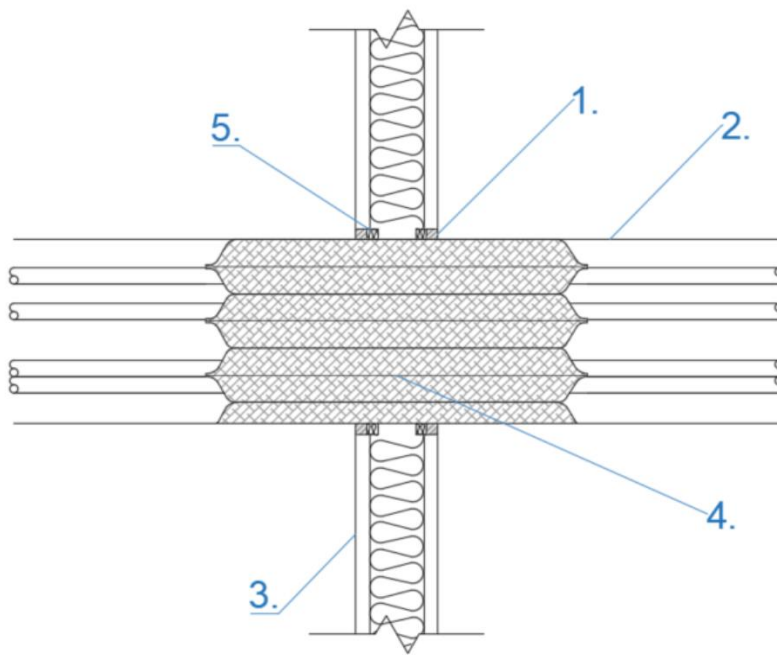


Appendix UL-EU CERTIFICATE

Certificate No. UL-EU-01223-CPR
 Page 33/45
 Date of Issue 2021-11-08

Cable trunking

Flexible or Rigid Walls $\geq 75\text{mm}$ – Lined/Unlined – Insulated/Uninsulated



Key

1. Promaseal intumescent acrylic sealant
2. Metal Trunking Filled with Cables
3. Flexible Wall
4. Promaseal Fire Pillows
5. Backing Material

Penetration Service	Depth (mm)	Maximum Aperture Size (mm)	Backing Material	Minimum Distance to Edge of Aperture (mm)	Classification
Steel trunking up to 150mm x 150mm	10	170 x 170	PE backing rod, glass wool, stone wool or ceramic wool	0	E 60, EI 20
Steel trunking up to 50mm x 50mm	10	70 x 70	PE backing rod, glass wool, stone wool or ceramic wool	0	E 60, EI 45

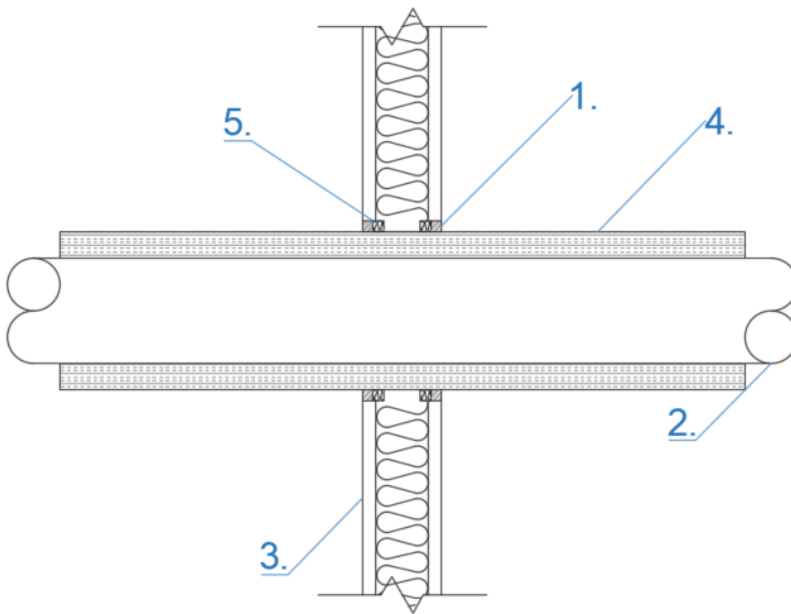


Appendix UL-EU CERTIFICATE

Certificate No. UL-EU-01223-CPR
 Page 34/45
 Date of Issue 2021-11-08

Insulated metallic pipes

Flexible or Rigid Walls $\geq 75\text{mm}$ – Lined/Unlined – Insulated/Uninsulated



Key

1. Promaseal intumescent acrylic sealant
2. Metal Pipe
3. Flexible Wall
4. Stone Wool Insulation
5. Backing Material

Penetration Service	Depth (mm)	Maximum Annular (mm)	Backing Material	Minimum Distance to Edge of Aperture (mm)	Classification
Copper/Steel Pipe 159mm \varnothing , 2-14.2mm wall thickness insulated with stone wool $\geq 50\text{mm}$ thick, $\geq 90\text{kg/m}^3$ (C/S)	10	10	PE backing rod, glass wool, stone wool or ceramic wool	0	E 60 C/U, C/C, EI 45 C/U, C/C

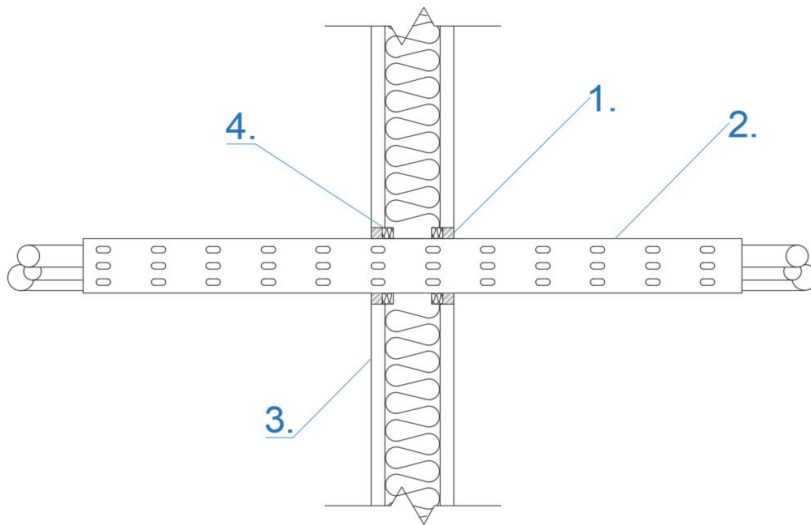


Appendix UL-EU CERTIFICATE

Certificate No. UL-EU-01223-CPR
 Page 35/45
 Date of Issue 2021-11-08

Cable trays

Flexible or Rigid Walls $\geq 75\text{mm}$ – Lined/Unlined – Insulated/Uninsulated



Key

1. Promaseal intumescent acrylic sealant
2. Cable Tray
3. Flexible Wall
4. Backing Material

Penetration Service	Depth (mm)	Maximum Aperture Size (mm) (h x w)	Backing Material	Minimum Distance to Edge of Aperture (mm)	Classification
Steel cable tray $\leq 450\text{mm}$ wide loaded with cables $\leq 21\text{mm } \varnothing + \text{C1, C2, C3 cables}^*$	10	470 x 100	PE backing rod, glass wool, stone wool or ceramic wool	0	E 60, EI 20
Steel cable tray $\leq 450\text{mm}$ wide loaded with cables $\leq 21\text{mm } \varnothing + \text{C1, C2, C3 cables}^*$ with insulation $\leq 40\text{mm}$ thick $\leq 45\text{kg/m}^3$, $\leq 400\text{mm}$ either side of the wall (L/I)	10	470 x 100	PE backing rod, glass wool, stone wool or ceramic wool	0	EI 45

* As defined in EN 1366-3: 2009, Annex A

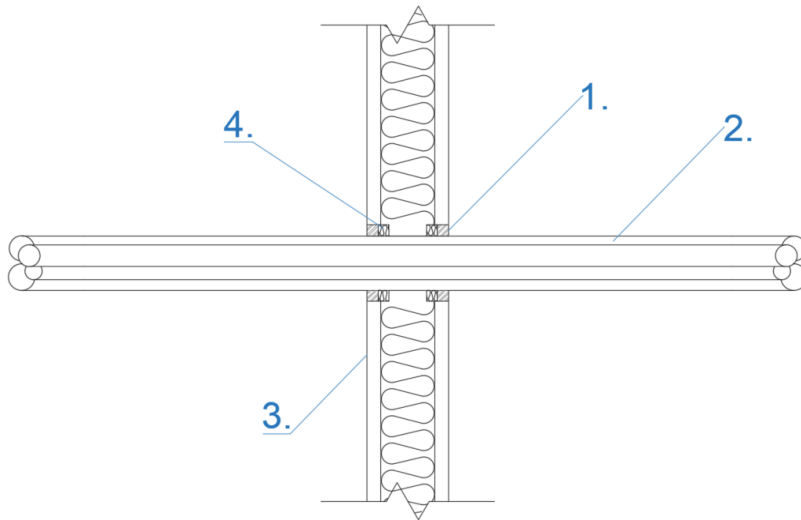


Appendix UL-EU CERTIFICATE

Certificate No. UL-EU-01223-CPR
 Page 36/45
 Date of Issue 2021-11-08

Cable bunches

Flexible or Rigid Walls $\geq 75\text{mm}$ – Lined/Unlined – Insulated/Uninsulated



Key

1. Promaseal intumescent acrylic sealant
2. Single Bunch
3. Flexible Wall
4. Backing Material

Penetration Service	Depth (mm)	Maximum Aperture Size (mm)	Backing Material	Minimum Distance to Edge of Aperture (mm)	Classification
Telecoms cables $\leq 21\text{mm}$ \varnothing in cable bunch $\leq 100\text{mm}$ \varnothing	10	120 \varnothing	PE backing rod, glass wool, stone wool or ceramic wool	0	E 60, EI 45



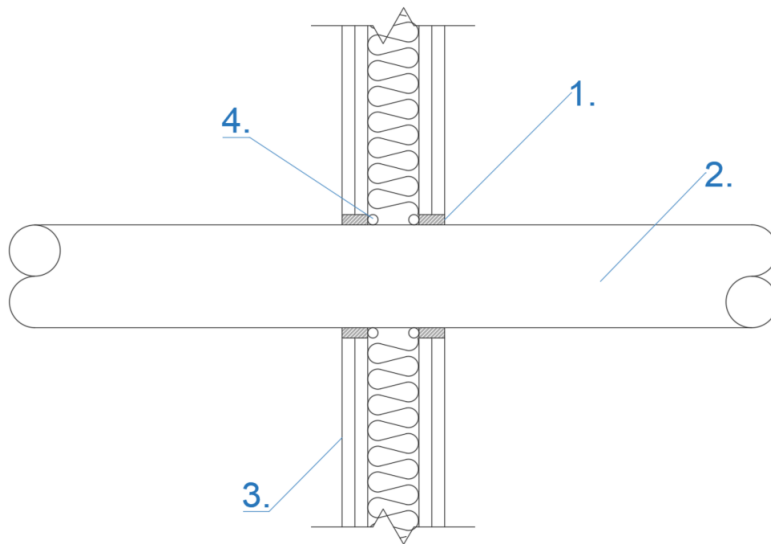
Appendix UL-EU CERTIFICATE

Certificate No. UL-EU-01223-CPR
 Page 37/45
 Date of Issue 2021-11-08

Flexible or Rigid Walls Minimum Thickness 100mm

Metallic pipes

Flexible or Rigid Walls $\geq 100\text{mm}$



Key

1. Promaseal intumescent acrylic sealant
2. Metallic Pipe
3. Flexible Wall
4. Backing Material

Penetration Service	Depth (mm)	Annular (mm)	Backing Material	Classification
Steel pipe 42mm Ø, 2.8 – 14.2mm wall thickness	25	10	PE backing rod, glass wool, stone wool or ceramic wool	E 120 C/U, C/C, EI 45 C/U, C/C
Steel pipe 42 – 114mm Ø, 3 – 14.2mm wall thickness				E 120 C/U, C/C, EI 20 C/U, C/C

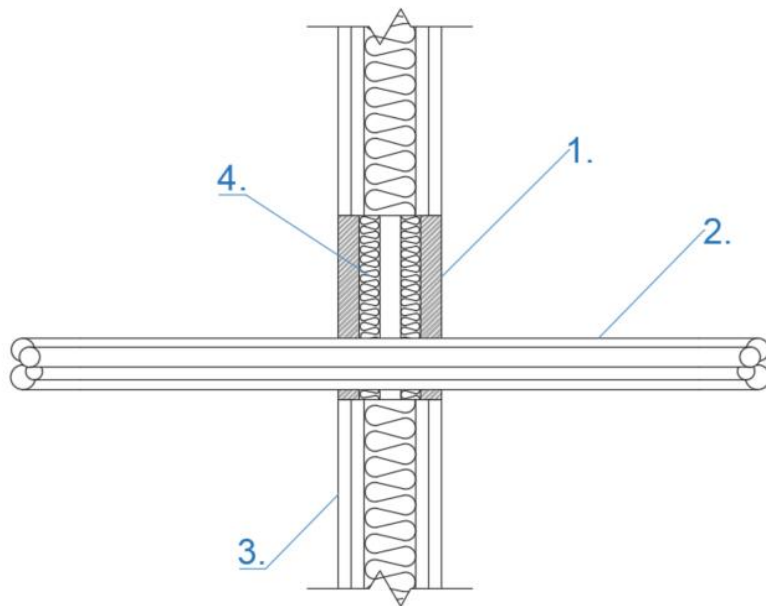


Appendix UL-EU CERTIFICATE

Certificate No. UL-EU-01223-CPR
 Page 38/45
 Date of Issue 2021-11-08

Cables and conduits

Flexible or Rigid Walls $\geq 100\text{mm}$ – Lined/Unlined – Insulated



Key

1. Promaseal intumescent acrylic sealant
2. Cables
3. Flexible Wall
4. Backing Material

Penetration Service	Depth (mm)	Maximum Aperture Size (mm)	Backing Material	Minimum Distance to Edge of Aperture (mm)	Classification
Cable bunch $\leq 100\text{mm } \varnothing$	20	180 x 180	Stone wool or ceramic wool (20mm 45kg/m ³)	10	EI 120
PVC conduits $\leq 16\text{mm } \varnothing$					EI 120
Steel/Copper conduits $\leq 16\text{mm } \varnothing$					E 120, EI 20
Cables $\leq 50\text{mm } \varnothing$					E 90, EI 60
Cables $\leq 21\text{mm } \varnothing$					EI 120



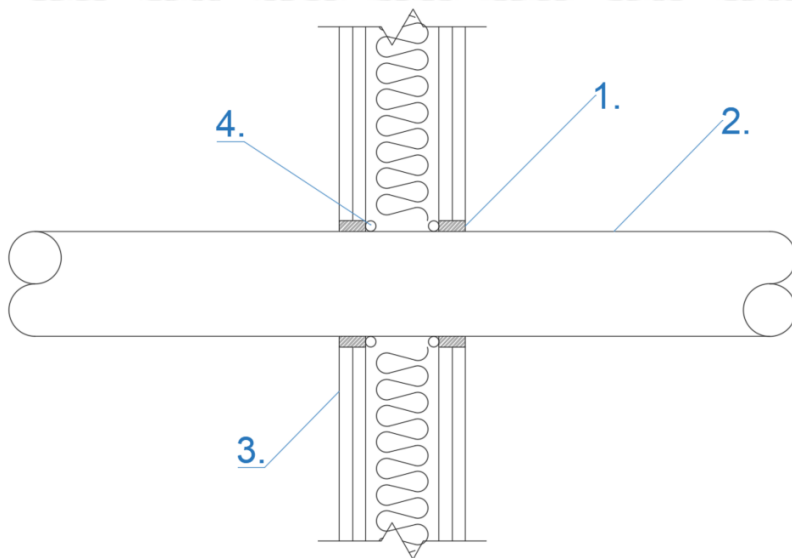
Appendix UL-EU CERTIFICATE

Certificate No. UL-EU-01223-CPR
 Page 39/45
 Date of Issue 2021-11-08

Flexible or Rigid Walls Minimum Thickness 120mm

Metal pipes

Flexible or Rigid Walls $\geq 120\text{mm}$ – Lined/Unlined – Insulated



Key

1. Promaseal intumescent acrylic sealant
2. Metal Pipe
3. Flexible Wall
4. Backing Material

Penetration Service	Depth (mm)	Annular Space (mm)	Backing Material	Classification
Copper/Steel pipe 15-40mm Ø, 0.8 – 14.2mm wall thickness	25	10	PE backing rod, glass wool, stone wool or ceramic wool	E 120 C/U, C/C, EI 15 C/U, C/C
Copper/Steel pipe 40-159mm Ø, 1.8 – 14.2mm wall thickness				E 120 C/U, C/C
Copper/Steel pipe 40mm Ø, 0.8 – 14.2mm wall thickness insulated with 6 mm foil faced ceramic fibre insulation to both sides of the wall at 300mm (L/I)				E 120 C/U, C/C, EI 90 C/U, C/C
Copper/Steel pipe 40-159mm Ø, 1.8 – 14.2mm wall thickness insulated with 6 mm foil faced ceramic fibre insulation to both sides of the wall at 300mm (L/I)				E 120 C/U, C/C, EI 20 C/U, C/C

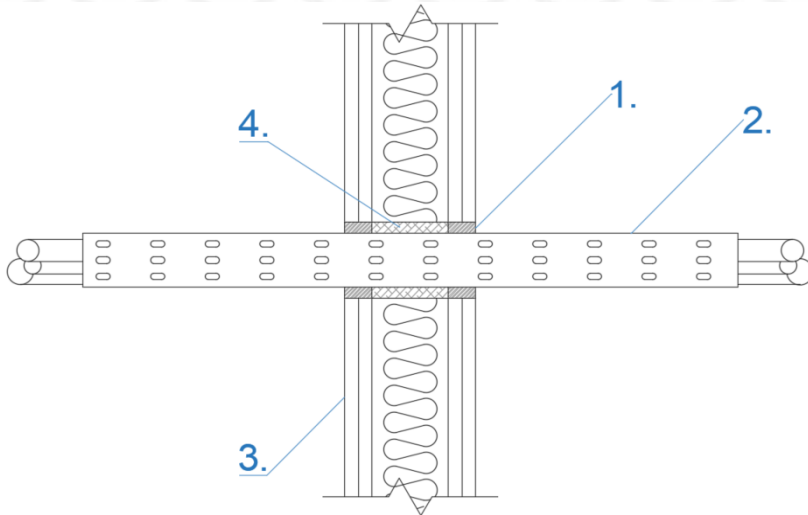


Appendix UL-EU CERTIFICATE

Certificate No. UL-EU-01223-CPR
 Page 40/45
 Date of Issue 2021-11-08

Cable trays

Flexible or Rigid Walls $\geq 120\text{mm}$ – Lined/Unlined – Insulated



Key

1. Promaseal intumescent acrylic sealant
2. Cable Tray/Cables
3. Flexible Wall
4. Backing Material

Penetration Service	Depth (mm)	Maximum Aperture Size (mm) (w x h)	Backing Material	Minimum Distance to Edge of Aperture (mm)	Classification
Steel cable tray $\leq 450\text{mm}$ wide loaded with cables $\leq 21\text{mm } \varnothing$	25	490 x 100	Stone wool or ceramic wool ($\geq 35\text{mm}$ $\geq 80\text{kg/m}^3$)	20	E 120, EI 90
C1, C2, D1 and D2 Cables*	25	200 x 100	PE backing rod, glass wool, stone wool or ceramic wool	20	E 90, EI 60

* As defined in EN 1366-3: 2009, Annex A



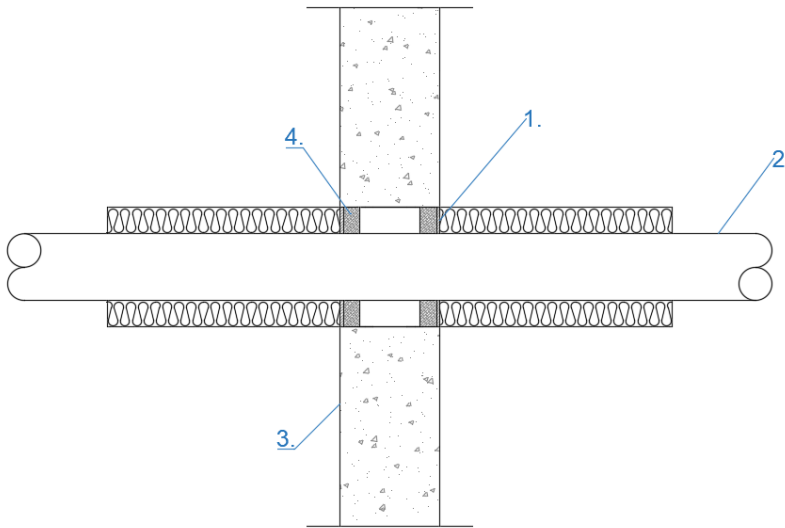
Appendix UL-EU CERTIFICATE

Certificate No. UL-EU-01223-CPR
 Page 41/45
 Date of Issue 2021-11-08

Rigid walls Minimum Thickness 150mm

Metal pipes

Rigid Walls $\geq 150\text{mm}$ with a density of $\geq 650\text{kg/m}^3$



Key

1. Promaseal intumescent acrylic sealant
2. Metal Pipe
3. Rigid Wall
4. Backing Material

Penetration Service	Depth (mm)	Maximum Aperture Size	Backing Material	Minimum Distance to Edge of Aperture (mm)	Classification
Copper/Steel pipe 35 - 159mm \varnothing , 2 - 14.2mm wall thickness insulated with stone wool 50mm thick 100kg/m ³ (C/I)	5	Pipe \varnothing + 55mm	PE backing rod, glass wool, stone wool or ceramic wool	0	EI 240 C/U, C/C

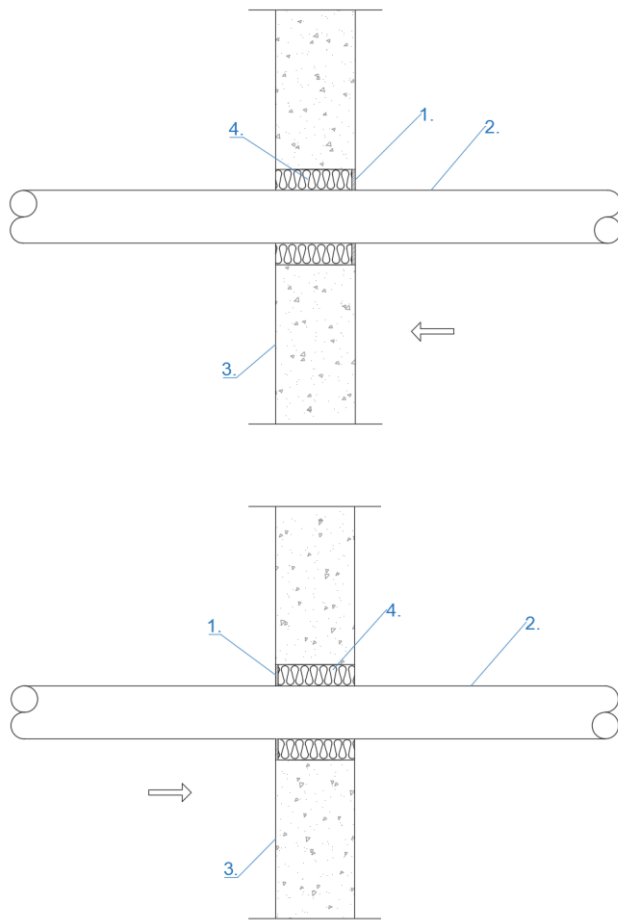


Appendix UL-EU CERTIFICATE

Certificate No. UL-EU-01223-CPR
 Page 42/45
 Date of Issue 2021-11-08

Metal pipes with single sided access

Rigid Walls $\geq 150\text{mm}$ with a density of $\geq 650\text{kg/m}^3$



Key

1. Promaseal intumescent acrylic sealant
2. Metal Pipe
3. Rigid Wall
4. Backing Material

Penetration Service	Depth (mm)	Maximum Aperture Size	Backing Material	Minimum Distance to Edge of Aperture (mm)	Classification
Steel pipe 40 -152mm \varnothing , 2.5 – 14.2mm wall thickness	6	Pipe \varnothing + 50mm	Stone wool or ceramic wool ($\geq 144\text{mm} \geq 80\text{kg/m}^3$)	0	E 240 C/C
Steel pipe 40mm \varnothing , 1.5 – 14.2mm wall thickness	6	Pipe \varnothing + 50mm	Stone wool or ceramic wool ($\geq 144\text{mm} \geq 80\text{kg/m}^3$)	0	E 240 C/C, EI 120 C/C

27-CP-F0855 Issue: 3.1



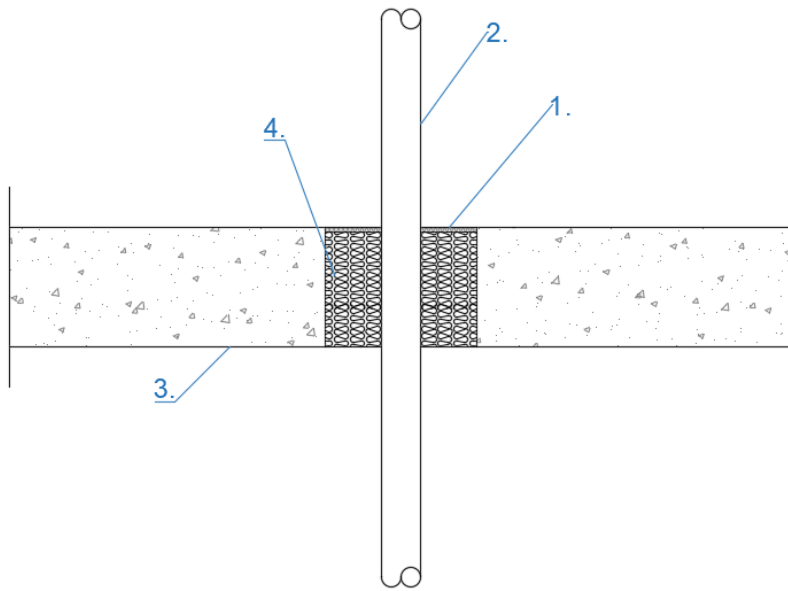
Appendix UL-EU CERTIFICATE

Certificate No. UL-EU-01223-CPR
 Page 43/45
 Date of Issue 2021-11-08

Rigid Floors Minimum Thickness 150mm

Metal pipes

Rigid Floors $\geq 150\text{mm}$ with a density of $\geq 650\text{kg/m}^3$



Key

1. Promaseal intumescent acrylic sealant
2. Metal Pipe
3. Rigid Floor
4. Backing Material

Penetration Service	Depth (mm)	Maximum Aperture Size (mm)	Backing Material	Minimum Distance to Edge of Aperture (mm)	Classification
Copper/Steel pipe 42 – 159mm Ø, 1 – 14.2mm wall thickness	5	200 x 200	Stone wool or ceramic wool ($\geq 145\text{mm}$ $\geq 45\text{kg/m}^3$)	20	E 180 C/U, C/C
Copper/Steel pipe 42mm Ø, 1 – 14.2mm wall thickness					E 240 C/U, C/C

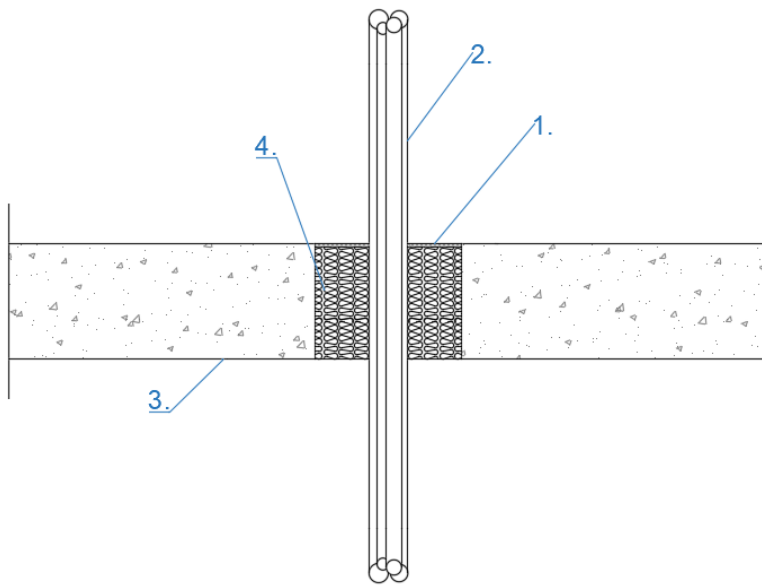


Appendix UL-EU CERTIFICATE

Certificate No. UL-EU-01223-CPR
 Page 44/45
 Date of Issue 2021-11-08

Cables

Rigid Floors $\geq 150\text{mm}$ with a density of $\geq 650\text{kg/m}^3$



Key

1. Promaseal intumescent acrylic sealant
2. Cables
3. Rigid Floor
4. Backing Material

Penetration Service	Depth (mm)	Maximum Aperture Size (mm)	Backing Material	Minimum Distance to Edge of Aperture (mm)	Classification
Telecoms cables $\leq 21\text{mm}$ \varnothing in cable bunch $\leq 100\text{mm}$ \varnothing	5	200 x 200	Stone wool or ceramic wool ($\geq 145\text{mm}$ $\geq 45\text{kg/m}^3$)	0	E 45, EI 15
PVC conduits $\leq 16\text{mm}$ \varnothing					E 45, EI 15
Steel/Copper conduits $\leq 16\text{mm}$ \varnothing					E 45, EI 15
Cables $\leq 80\text{mm}$ \varnothing					E 90, EI 45
Cables $\leq 50\text{mm}$ \varnothing					E 90, EI 45
Cables $\leq 21\text{mm}$ \varnothing					E 240, EI 90



Appendix UL-EU CERTIFICATE

Certificate No. UL-EU-01223-CPR
Page 45/45
Date of Issue 2021-11-08

The UL-EU Mark, as displayed below, shall appear on certified products only. Minimum size is not specified, as long as the Mark is legible. The following is suggested.



The minimum height of the registered trademark symbol ® shall be 1 mm. When the overall diameter of the UL-EU Mark is less than 9.5 mm, the trademark symbol may be omitted if it is not legible to the naked eye.

The UL-EU Mark may appear on a label, nameplate, or may be cast, stamped or molded into the product. When appearing on a label or nameplate, the Manufacturer's name or trademark along with a model number are also required on that same label or nameplate. If cast, stamped or molded, the Manufacturer's name or trademark and model number shall also appear elsewhere on the product.

All content shall be in accordance with the details provided on this UL-EU Certificate.

PROCUREMENT

The Production site may reproduce the Mark or obtain it from a UL authorized supplier. The list of UL authorized suppliers can be found on UL's online directory at www.ul.com.

