



Österreichisches Institut für Bautechnik
Schenkenstrasse 4 | 1010 Vienna | Austria
T +43 1 533 65 50 | F +43 1 533 64 23
mail@oib.or.at | www.oib.or.at



European Technical Assessment

ETA-16/0310
of 22.11.2016

General part

Technical Assessment Body issuing the European Technical Assessment

Österreichisches Institut für Bautechnik (OIB)
Austrian Institute of Construction Engineering

Trade name of the construction product

PROMASEAL®-A spray

Product family to which the construction product belongs

Fire Stopping and Fire Sealing Product:
Linear Joint and Gap Seals

Manufacturer

Promat International NV
Bormstraat 24
2830 Tiselt
Belgium

Manufacturing plant

Production plant 12

This European Technical Assessment contains

36 pages including Annexes 1 to 4 which form an integral part of this assessment

This European Technical Assessment is issued in accordance with Regulation (EU) No 305/2011, on the basis of

Guideline for European technical approval (ETAG) No. 026-3 Fire Stopping and Fire Sealing Products – Part 3: Linear Joint and Gap Seals Seals, edition August 2011, used as European Assessment Document (EAD)



European Organisation for Technical Approvals
Europäische Organisation für Technische Zulassungen
Organisation Européenne pour l'Agrément Technique

General part

This European Technical Assessment is not to be transferred to manufacturers or agents of manufacturer other than those indicated on page 1, or manufacturing plants other than those laid down in the context of this European Technical Assessment.

Translations of this European Technical Assessment in other languages shall fully correspond to the original issued document and should be identified as such.

Communication of this European Technical Assessment, including transmission by electronic means, shall be in full. However, partial reproduction can be made with the written consent of the Österreichisches Institut für Bautechnik. In this case, partial reproduction has to be designated as such.

This European Technical Assessment may be withdrawn by the Österreichisches Institut für Bautechnik, in particular pursuant to information by the Commission according to Article 25 (3) of Regulation (EU) No 305/2011.

Specific parts

1. Technical description of the product

1.1 Definition of the construction product

The firestop product PROMASEAL®-A spray is a permanently elastic firestop coating installed in linear gaps/joints to form a linear joint or gap seal with backfilling materials to reinstate the fire resistance performance of floor and wall constructions.

The colour of firestop coating PROMASEAL®-A spray is white and grey.

PROMASEAL®-A spray – type of linear joint seal (acc. to ETAG 026-3, cl. 1.1):
Membrane-forming coatings.

A detailed specification of the product PROMASEAL®-A spray is a non-public part of this European Technical Assessment, and deposited at the Österreichisches Institut für Bautechnik.

2. Specification of the intended use(s) in accordance with the applicable European Assessment Document (hereinafter EAD)

2.1 Intended use

The intended use of PROMASEAL®-A spray is to reinstate the fire resistance performance of rigid wall and rigid floor constructions at linear joints/gaps within those constructions or where they are abutting another wall or floor constructions.

In the following specified constructions PROMASEAL®-A may be used to provide a linear joint seal.

- (1) The specific elements of construction that PROMASEAL®-A spray may be used to provide a linear joint seal in, are as follows (details see Annex 3):
 - A) Rigid walls: The wall must have a minimum thickness of 100 mm and consist of concrete, aerated concrete or masonry, with a minimum density of 450 kg/m³.
 - B) Rigid floors: The floor must have a minimum thickness of 150 mm and consist of aerated concrete or concrete with a minimum density of 450 kg/m³.

This ETA does not cover the use of this product as a penetration seal in sandwich panel constructions.

2.2 Use category

The use category of PROMASEAL®-A spray is Type Y₁. Since the requirements for Y₁ are met, also the requirements for type Z₁, Z₂ and Y₂ are fulfilled.

Type Y₁: Products intended for use at temperatures between -20°C and +70°C, with exposure to UV but no exposure to rain.

Type Y₂: Products intended for use at temperatures between -20°C and +70°C, with no exposure to UV nor rain.

Type Z₁: Products intended for use at internal conditions with high humidity, excluding temperatures below 0°C¹, without exposure to rain or UV.

Type Z₂: Products intended for use at internal conditions with humidity classes other than Z₁, excluding temperatures below 0°C, without exposure to rain or UV.

2.3 General assumptions

It is assumed that

- a) damages to the linear joint/gap seal are repaired accordingly,
- b) the installation of the linear joint/gap seal does not effect the stability of the adjacent building element – even in case of fire,
- c) the lintel or floor above the linear joint/gap seal is designed structurally and in terms of fire protection such that no additional mechanical load (other than its own weight) is imposed on the linear joint/gap seal.

2.4 Manufacturing

The European Technical Assessment is issued for the product on the basis of agreed data/information, deposited with the Österreichisches Institut für Bautechnik, which identifies the product that has been assessed and judged. Changes to the product or production process, which could result in this deposited data/information being incorrect, should be notified to the Österreichisches Institut für Bautechnik before the changes are introduced. The Österreichisches Institut für Bautechnik will decide whether or not such changes affect the European Technical Assessment and consequently the validity of the CE marking on the basis of the European Technical Assessment and if so whether further assessment or alterations to the European Technical Assessment, shall be necessary.

2.5 Installation

The product shall be installed and used as described in this European Technical Assessment. Additional marking of the linear joint/gap seal shall be done in case of national requirements.

The arrangement and installation of PROMASEAL®-A spray shall be done in accordance with the details given here and in Annex 2 and 3 for the linear joint/gap seal(s).

The installation of PROMASEAL®-A spray should be conducted according to the installation manuals as follows (for static linear joint seals (with less than 7,5% movement)):

- Application temperatures should be between +5°C to +40°C.
- Cleaning the opening - surface to which PROMASEAL®-A spray will be applied should be cleaned of oil, wax, dirt, loose debris, grease and dust.
- Use a tape or mask out the working area on wall or floor if necessary.
- Compress backfilling material und insert it in the opening.
- Apply PROMASEAL®-A spray on the surface and if needed on the adjacent compartment.

The installation of PROMASEAL®-A spray should be conducted according to the installation manuals as follows (for linear joint seals with specified degree of movement):

¹ These uses apply for internal humidity class 5 in acc. with EN ISO 13788

- Application temperatures should be between +5°C to +40°C.
- Cleaning the opening - surface to which PROMASEAL®-A spray will be applied should be cleaned of oil, wax, dirt, loose debris, grease and dust.
- Use a tape or mask out the working area on wall or floor if necessary.
- Apply PROMASEAL®-A spray in the aperture and on the outer surface of the stone wool strips/boards. Stick the stone wool strips/boards together, compress and put them into aperture.
- Apply PROMASEAL®-A spray on the surface and if needed on the adjacent compartment.

3. Performance of the product and references to the methods used for its assessment

Basic requirements for construction works	Essential characteristics	Method of verification	Performance
BWR 2	Reaction to fire	EN 13501-1:2007+A1:2009	See 3.1.1
	Resistance to fire	EN 13501-2:2007+A1:2009	See 3.1.2 and Annex 3
BWR 3	Content and/or release of dangerous substances	European Council Directive 7/548/EEC-Dangerous Substances Directive and Regulation (EC) No 1272/2008	Declaration of conformity by the manufacturer
BWR 4	Mechanical resistance and stability	see part 3.3.1 of ETA	
	Resistance to impact / movement	see part 3.3.1 of ETA	
	Adhesion	see part 3.3.1 of ETA	
BWR 7	No Performance Assessed		

3.1 Safety in case of fire (BWR 2)

3.1.1 Reaction to fire

The components of construction product PROMASEAL®-A spray were assessed according to ETAG 026-Part 2 used as EAD clause 2.4.1 and classified according to EN 13501-1:2007+A1:2009.

Component	Class according to EN 13501-1
PROMASEAL®-A spray	E

3.1.2 Resistance to fire

PROMASEAL®-A spray has been tested in accordance with EN 1366-4:2010 installed within linear joint/gap seals in rigid walls and rigid floors.

As shown in Annex 3, the test results and the direct field of application (acc. to EN 1366-4:2010) PROMASEAL®-A spray has been classified in accordance with EN 13501-2:2007+A1:2009.

Appropriate wall and floor constructions for linear joint/gap seals see clause 2.1.

3.2 Hygiene, health and environment (BWR 3)

3.2.1 Release of dangerous substances

According to the manufacturer's declaration "PROMASEAL®-A spray" does not contain dangerous substances detailed in Council Directive 67/548/EEC and Regulation (EC) no 1272/2008 as well as EOTA TR 034 (General ER 3 Checklist for ETAGs/CUAPs/ETAs- Content and/or release of dangerous substances in products/kits), edition March 2012.

A written declaration in this respect was submitted by the ETA-holder.

In addition to the specific clauses relating to dangerous substances contained in this European Technical Assessment, there may be other requirements applicable to the products falling within its scope (e.g. transposed European legislation and national laws, regulations and administrative provisions). In order to meet the provisions of the Construction Products Regulation, these requirements need also to be complied with, when and where they apply.

3.3 Safety and accessibility in use (BWR 4)

3.3.1 Mechanical resistance and stability

Due to the maximum joint width of 130 mm (see Annex 3 of this ETA) made from PROMASEAL®-A spray, impact tests according ETAG 026-3 are not required and therefore no performance has been assessed.

3.3.2 Resistance to impact / movement

See part 3.3.1 of the ETA.

3.3.3 Adhesion

See part 3.3.1 of the ETA.

3.6 Sustainable use of natural resources (BWR 7)

No performance assessed.

3.7 General aspects relating to fitness for use

3.7.1 Durability

PROMASEAL®-A spray has been tested in accordance to EOTA TR 024, Table 4.2.4 for the Y₁ use category specified in EOTA ETAG 026-3 and the results of the test have demonstrated suitability for penetration seals intended for use at temperatures between -20°C und +70°C with exposure to UV but without exposure to rain.

3.7.2 Serviceability

No performance assessed.

4 Assessment and verification of constancy of performance (hereinafter AVCP) system applied, with reference to its legal base

4.1 AVCP system

According to the Decision 1999/454/EC², amended by Decision 2001/596/EC³ of the European Commission, as amended, the system(s) of assessment and verification of constancy of performance (see Annex V of Regulation (EU) No 305/2011) is 1.

5 Technical details necessary for the implementation of the AVCP system, as provided for in the applicable EAD

5.1 Tasks of the manufacturer

5.1.1 Factory production control

The manufacturer shall exercise permanent internal control of production. All the elements, requirements and provisions adopted by the manufacturer shall be documented in a systematic manner in the form of written policies and procedures, including records of results performed. This production control system shall insure that the product is in conformity with this European Technical Assessment.

The manufacturer may only use initial/raw/constituent materials stated in the Technical documentation⁴ of this European Technical Assessment.

For the components, which the ETA-holder does not manufacture by himself, he shall make sure that factory production control carried out by the other manufacturers gives the guarantee of the components compliance with the European Technical Assessment.

The factory production control and the provisions taken by the ETA-holder for components not produced by himself shall be in accordance with the control plan⁵ relating to this European Technical Assessment, which is a confidential part of the Technical documentation of this European Technical Assessment.

The results and details of the extent, nature and frequency of controls be performed within the factory production control shall be recorded and evaluated in accordance with the provisions of the control plan.

² Official Journal of the European Communities no. L 178, 14.7.1999, p. 52

³ Official Journal of the European Communities no. L 209, 2.8.2001, p. 33

⁴ The technical documentation of this European Technical Assessment has been deposited at the Österreichisches Institut für Bautechnik and, as far as relevant for the tasks of the notified product certification body involved in the assessment and verification of constancy of performance, is handed over to the notified product certification body.

⁵ The control plan has been deposited at Österreichisches Institut für Bautechnik and is handed over only to the notified product certification body involved in the assessment and verification of constancy of performance.

5.1.2 Other tasks of the manufacturer

The manufacturer shall provide a Technical data sheet and an installation instruction with the following minimum information:

Technical data sheet:

- a) Field of application:
 - 1) Building elements for which the linear joint/gap seal seal is suitable, type and properties of the building elements like minimum thickness, density, and – in case of lightweight constructions – the construction requirements
 - 2) Limits in size, minimum thickness etc. of the linear joint/gap seal
 - 3) Environmental conditions covered by this European Technical Assessment
- b) Construction of the linear joint/gap seal including the necessary components and additional products (e.g. backfilling material) with clear indication whether they are generic or specific.

Installation instruction:

- a) Steps to be followed
- b) Stipulations on maintenance, repair and replacement

The manufacturer shall, based on a contract, involve a notified product certification body, which is notified for the tasks referred to in clause 4.1 of the ETA in the field of Assessment product. For this purpose, the control plan referred to in clause 5.1 and 5.2 of the ETA shall be handed over by the manufacturer to the notified product certification body involved.

The manufacturer shall make a declaration of conformity, stating that the construction product is in conformity with the provisions of this European Technical Assessment.

5.1.3 Further testing of samples taken at the factory

Testing of samples taken at the factory by the manufacturer is not required.

5.2 Tasks of notified product certification body

The notified product certification body shall retain the essential points of its actions referred to clause 5.2.1 to 5.2.3, state the results obtained and conclusions drawn in written report.

These tasks shall be performed in accordance with the provisions laid down in the control plan of this European Technical Assessment.

5.2.1 Determination of the product type

Notified product certification bodies undertaking tasks under Systems 1 shall consider the European Technical Assessment issued for the construction product in question as the assessment of the performance of that product. Notified bodies shall therefore not undertake the tasks referred to in point 1.2 (b)(i), in Annex V of Regulation (EU) No 305/2011, unless there are changes in the manufacture or manufacturing plant. In such cases, the necessary initial type testing has to be agreed between the Österreichisches Institut für Bautechnik and notified product certification body involved.

5.2.2 Initial inspection of the manufacturing plant and of factory production control

The notified product certification body shall ascertain that, in accordance with the control plan, the manufacturing plant, in particular personnel and equipment, and the factory production control are suitable to ensure a continuous and orderly manufacturing of the kit according to the specifications given in clause 2 and in the Annexes of the European Technical Assessment.

5.2.3 Continuous surveillance, assessment and evaluation of factory production control

The notified product certification body shall visit the factory at least once a year for surveillance of the manufacturer.

It has to be verified that the system of factory production control and the specified manufacturing process are maintained taking into account the control plan.

Continuous surveillance and assessment of factory production control have to be performed according to the control plan.

The results of continuous surveillance shall be made available on demand by the notified product certification body or the Österreichisches Institut für Bautechnik. In cases where the provisions of the European Technical Assessment and the control plan are no longer fulfilled, the certificate of constancy of performance shall be withdrawn.

Issued in Vienna on 22.11.2016
by Österreichisches Institut für Bautechnik

Rainer Mikulits
Managing Director

ANNEX 1

Reference documents and list of abbreviations

1.1 Reference to standards mentioned in this ETA:

ETAG 026-3 (2011)	Fire stopping and fire sealing products - Part 3: Linear Joint and Gaps Seals
EN 13501-1:2007+A1:2009	Fire classification of construction products and building elements - Part 1: Classification using test data from reaction to fire tests
EN 13501-2:2007+A1:2009	Fire classification of construction products and building elements - Part 2: Classification using data from fire resistance tests, excluding ventilation
EN 1363-1:1999	Fire resistance tests - Part 1: General requirements
EN 1366-4:2010	Fire resistance tests for service installations - Part 4: Linear joint seals

1.2 Other reference documents:

EOTA TR 024 (2009)	Characterisation, Aspects of Durability and Factory Production Control for Reactive Materials, Components and Products
--------------------	--

ANNEX 2

DESCRIPTION OF PRODUCT(S) & PRODUCT LITERATURE

2.1 Product:

Product name	Description
PROMASEAL [®] -A spray	Firestop coating

Backfilling materials	Reaction to fire
Non-combustible materials (e.g. mineral wool)	Minimum class A1 (in acc. with EN 13501-1), melting point $\geq 1000^{\circ}\text{C}$

For more details and combinations see Annex 3 and Annex 4 of this ETA.

2.2 Technical product literature:

Product data sheet for PROMASEAL[®]-A spray and Product handling guideline.

Detailed sketches for the firestop coating PROMASEAL[®]-A spray.

ANNEX 3

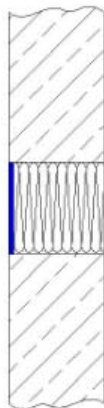
RESISTANCE TO FIRE CLASSIFICATION OF PROMASEAL®-A spray

3.1 Classification acc. to EN 13501-2 for the PROMASEAL®-A spray firestop coating in/between rigid wall constructions

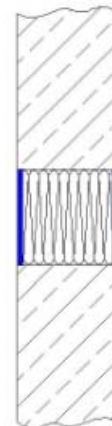
The firestop coating PROMASEAL®-A spray shall be applied as described and shown in Annex 3 and Annex 4.

Linear joint/gap seals in/between rigid walls	
Thickness rigid wall:	≥ 100 mm
Backfilling material:	Mineral wool, minimum class A1 (in acc. with EN 13501-1), melting point ≥ 1000°C

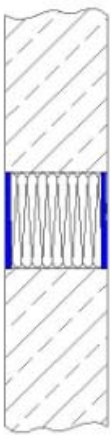
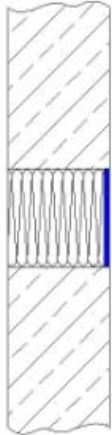
Vertical joints in/between wall constructions	Vertical joints in/between wall constructions
Density backfilling material: ≥ 90 kg/m ³	Density backfilling material: ≥ 40 kg/m ³
PROMASEAL®-A spray thickness: ≥ 1 mm	PROMASEAL®-A spray thickness: ≥ 1 mm
Classification: EI 180 – V – M 7,5 – F – W 5 to 100 The blue marked classification can be replaced by: E 15, E 30, E 45, E 60, E 90, E 120, E 180 EI 15, EI 20, EI 30, EI 45, EI 60, EI 90, EI 120, EI 180	Classification: EI 120 – V – M 7,5 – F – W 5 to 100 The blue marked classification can be replaced by: E 15, E 30, E 45, E 60, E 90, E 120 EI 15, EI 20, EI 30, EI 45, EI 60, EI 90, EI 120

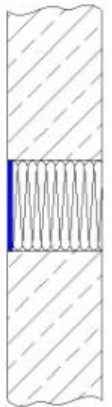
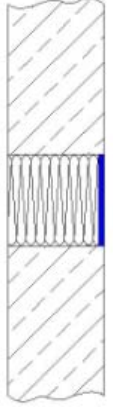


For Details see drawing 712.01



For Details see drawing 712.02

Horizontal joints in/between wall constructions	Vertical joints in/between wall constructions
Density backfilling material: $\geq 40 \text{ kg/m}^3$	Density backfilling material: $\geq 40 \text{ kg/m}^3$
PROMASEAL®-A spray thickness: $\geq 1 \text{ mm}$	PROMASEAL®-A spray thickness: $\geq 1 \text{ mm}$
Classification: EI 120 – T – M 7,5 – F – W 5 to 100 The blue marked classification can be replaced by: E 15, E 30, E 45, E 60, E 90, E 120 EI 15, EI 20, EI 30, EI 45, EI 60, EI 90, EI 120	Classification: EI 45 – V – M 7,5 – F – W 5 to 100 The blue marked classification can be replaced by: E 15, E 30, E 45, E 60, E 90, E 120 EI 15, EI 20, EI 30, EI 45
 <p data-bbox="236 976 651 1014">For Details see drawing 712.03</p>	 <p data-bbox="932 976 1347 1014">For Details see drawing 712.04</p>

Vertical joints in/between wall constructions	Horizontal joints in/between wall constructions
Density backfilling material: $\geq 40 \text{ kg/m}^3$	Density backfilling material: $\geq 40 \text{ kg/m}^3$
PROMASEAL®-A spray thickness: $\geq 1 \text{ mm}$	PROMASEAL®-A spray thickness: $\geq 1 \text{ mm}$
Classification: EI 120 – V – M 7,5 – F – W 5 to 100 The blue marked classification can be replaced by: E 15, E 30, E 45, E 60, E 90, E 120 EI 15, EI 20, EI 30, EI 45, EI 60, EI 90, EI 120	Classification: EI 120 – T – M 7,5 – F – W 5 to 100 The blue marked classification can be replaced by: E 15, E 30, E 45, E 60, E 90, E 120 EI 15, EI 20, EI 30, EI 45, EI 60, EI 90, EI 120
 <p data-bbox="236 1783 651 1821">For Details see drawing 712.05</p>	 <p data-bbox="932 1783 1347 1821">For Details see drawing 712.06</p>

Horizontal joints in/between wall constructions

Density backfilling material: $\geq 40 \text{ kg/m}^3$

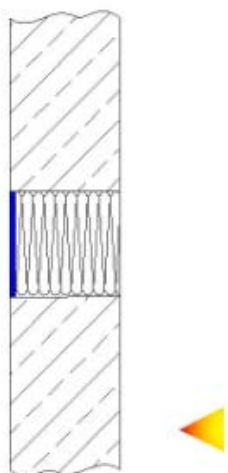
PROMASEAL®-A spray thickness: $\geq 1 \text{ mm}$

Classification: EI 120 – T – M 7,5 – F – W 5 to 100

The blue marked classification can be replaced by:

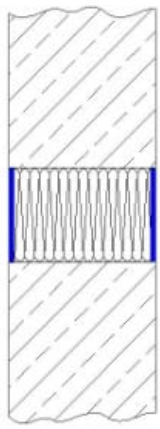
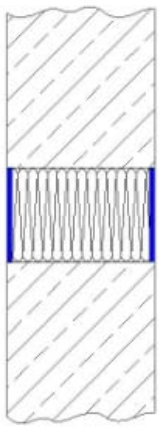
E 15, E 30, E 45, E 60, E 90, E 120

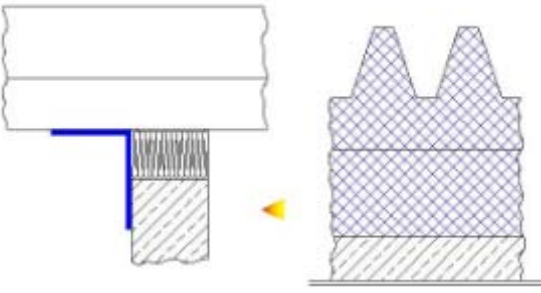
EI 15, EI 20, EI 30, EI 45, EI 60, EI 90, EI 120



For Details see drawing 712.07

Linear joint/gap seals in/between rigid walls	
Thickness rigid wall:	≥ 150 mm
Backfilling material:	Mineral wool, minimum class A1 (in acc. with EN 13501-1), melting point ≥ 1000°C

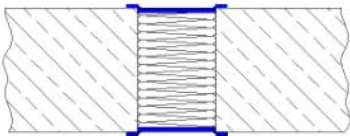
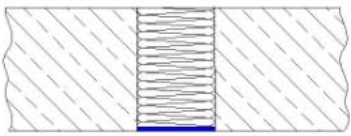
Vertical joints in/between wall constructions	Horizontal joints in/between wall constructions
Density backfilling material: ≥ 60 kg/m ³	Density backfilling material: ≥ 60 kg/m ³
PROMASEAL®-A spray thickness: ≥ 1 mm	PROMASEAL®-A spray thickness: ≥ 1 mm
Classification: EI 180 – V – M 7,5 – F – W 5 to 100 The blue marked classification can be replaced by: E 15, E 30, E 45, E 60, E 90, E 120, E 180 EI 15, EI 20, EI 30, EI 45, EI 60, EI 90, EI 120, EI 180	Classification: EI 180 – T – M 7,5 – F – W 5 to 100 The blue marked classification can be replaced by: E 15, E 30, E 45, E 60, E 90, E 120, E 180 EI 15, EI 20, EI 30, EI 45, EI 60, EI 90, EI 120, EI 180
	
For Details see drawing 712.08	For Details see drawing 712.09

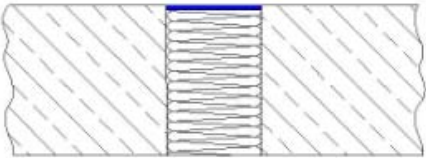
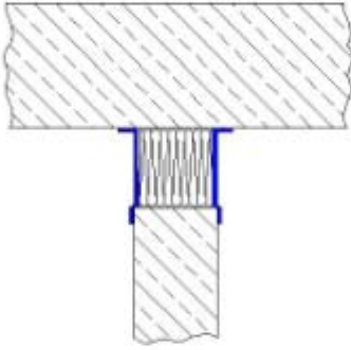
Horizontal joints between wall constructions and trapezoidal steel sheets
Density backfilling material: ≥ 60 kg/m ³
PROMASEAL®-A spray thickness: ≥ 2 mm
PROMASEAL®-A spray length on the adjacent trapezoidal steel sheet: ≥ 150 mm
PROMASEAL®-A spray length on the adjacent wall: ≥ 100 mm
Classification: EI 120 – T – M 7,5 – F – W 190 to 360 The blue marked classification can be replaced by: E 15, E 30, E 45, E 60, E 90, E 120 EI 15, EI 20, EI 30, EI 45, EI 60, EI 90, EI 120

For Details see drawing 712.10

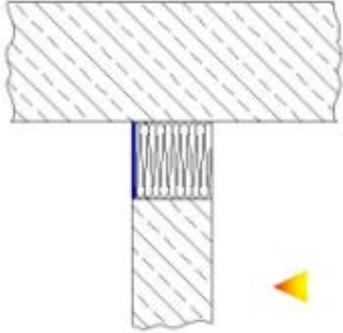
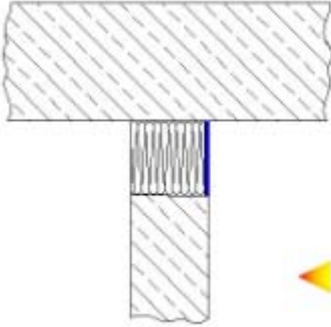
3.2 Classification acc. to EN 13501-2 for the PROMASEAL®-A spray firestop coating in/between rigid floor constructions

The firestop coating PROMASEAL®-A spray shall be applied as described and shown in Annex 3 and Annex 4.

Linear joint/gap seals in/between rigid floors	
Thickness rigid floor:	≥ 150 mm
Backfilling material:	Mineral wool, minimum class A1 (in acc. with EN 13501-1), melting point ≥ 1000°C

Joints in/between floor constructions	Joints in/between floor constructions
Density backfilling material: ≥ 60 kg/m ³	Density backfilling material: ≥ 40 kg/m ³
PROMASEAL®-A spray thickness: ≥ 1 mm	PROMASEAL®-A spray thickness: ≥ 1 mm
PROMASEAL®-A spray length on the adjacent floor: ≥ 10 mm	
Classification: EI 180 – H – M 7,5 – F – W 5 to 100 The blue marked classification can be replaced by: E 15, E 30, E 45, E 60, E 90, E 120, E 180 EI 15, EI 20, EI 30, EI 45, EI 60, EI 90, EI 120, EI 180	Classification: EI 120 – H – M 7,5 – F – W 5 to 100 The blue marked classification can be replaced by: E 15, E 30, E 45, E 60, E 90, E 120 EI 15, EI 20, EI 30, EI 45, EI 60, EI 90, EI 120
	
For Details see drawing 712.11	For Details see drawing 712.12

Joints in/between floor constructions	Horizontal joints in a wall abutting a floor, ceiling or roof
Density backfilling material: ≥ 40 kg/m ³	Density backfilling material: ≥ 60 kg/m ³
PROMASEAL®-A spray thickness: ≥ 1 mm	PROMASEAL®-A spray thickness: ≥ 1 mm
	PROMASEAL®-A spray length on the adjacent wall and floor: ≥ 10 mm
Classification: EI 120 – H – M 7,5 – F – W 5 to 100 The blue marked classification can be replaced by: E 15, E 30, E 45, E 60, E 90, E 120 EI 15, EI 20, EI 30, EI 45, EI 60, EI 90, EI 120	Classification: EI 180 – T – M 7,5 – F – W 5 to 100 The blue marked classification can be replaced by: E 15, E 30, E 45, E 60, E 90, E 120, E 180 EI 15, EI 20, EI 30, EI 45, EI 60, EI 90, EI 120, EI 180
	
For Details see drawing 712.13	For Details see drawing 712.15

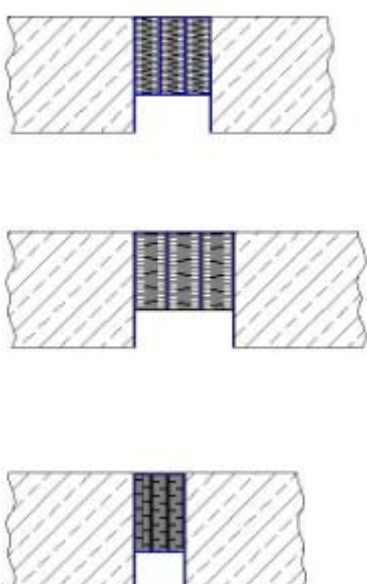
Horizontal joints in a wall abutting a floor, ceiling or roof	Horizontal joints in a wall abutting a floor, ceiling or roof
Density backfilling material: $\geq 40 \text{ kg/m}^3$	Density backfilling material: $\geq 40 \text{ kg/m}^3$
PROMASEAL®-A spray thickness: $\geq 1 \text{ mm}$	PROMASEAL®-A spray thickness: $\geq 1 \text{ mm}$
Classification: EI 120 – T – M 7,5 – F – W 5 to 100 The blue marked classification can be replaced by: E 15, E 30, E 45, E 60, E 90, E 120 EI 15, EI 20, EI 30, EI 45, EI 60, EI 90, EI 120	Classification: EI 120 – T – M 7,5 – F – W 5 to 100 The blue marked classification can be replaced by: E 15, E 30, E 45, E 60, E 90, E 120 EI 15, EI 20, EI 30, EI 45, EI 60, EI 90, EI 120
 <p data-bbox="237 887 651 918">For Details see drawing 712.16</p>	 <p data-bbox="932 887 1345 918">For Details see drawing 712.17</p>

3.3 Classification acc. to EN 13501-2 for the PROMASEAL®-A spray firestop coating as linear joint/gap seal with max. movement of 30% in/between rigid constructions

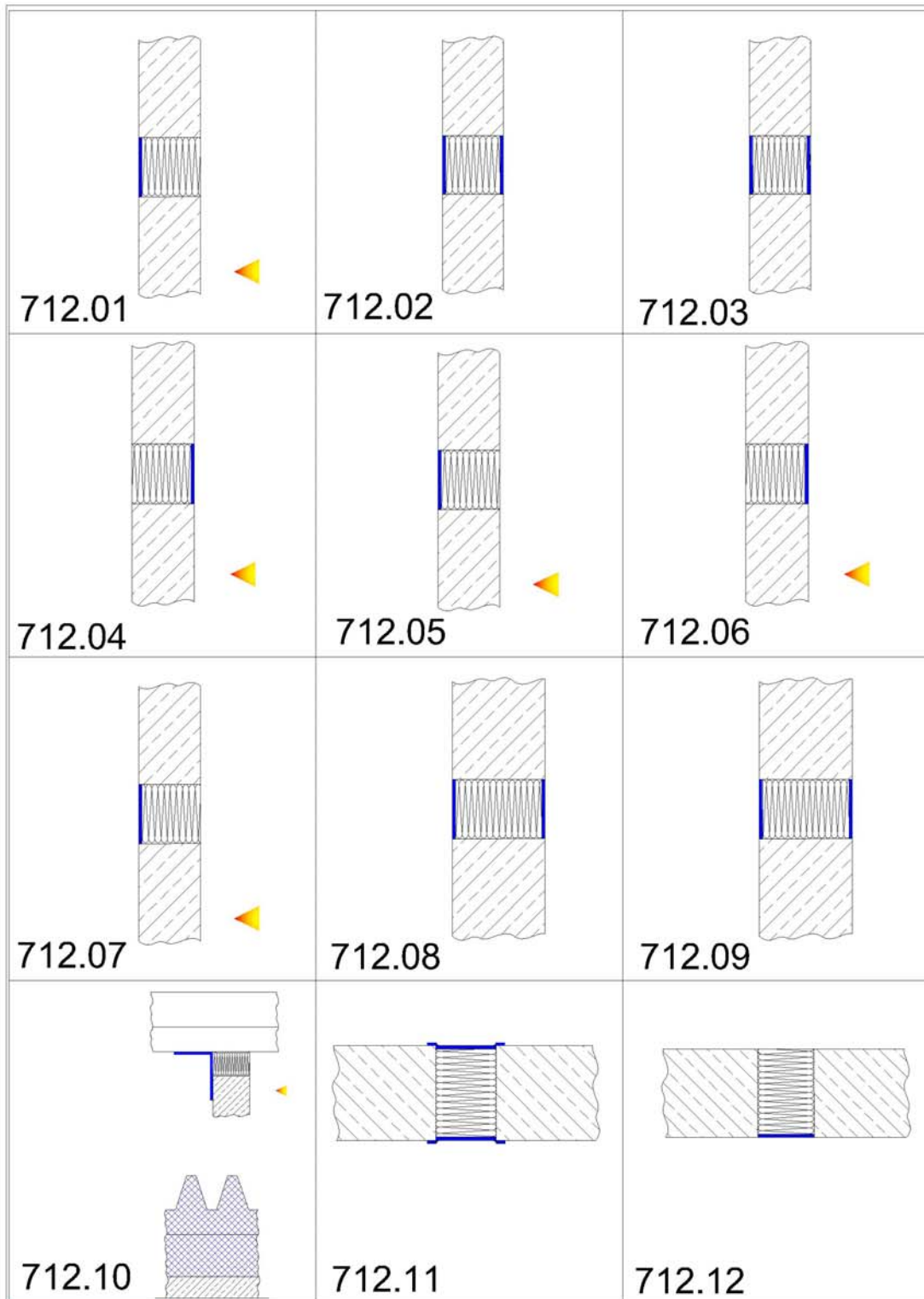
The firestop coating PROMASEAL®-A spray shall be applied as described and shown in Annex 3 and Annex 4.


Linear joint/gap seals in/between rigid walls and floors, horizontal joints in a wall abutting a floor, ceiling or roof with maximum movement 30%	
Thickness rigid wall:	≥ 100 mm
Thickness rigid floor:	≥ 150 mm
Backfilling material:	Mineral wool, minimum class A1 (in acc. with EN 13501-1), melting point ≥ 1000°C

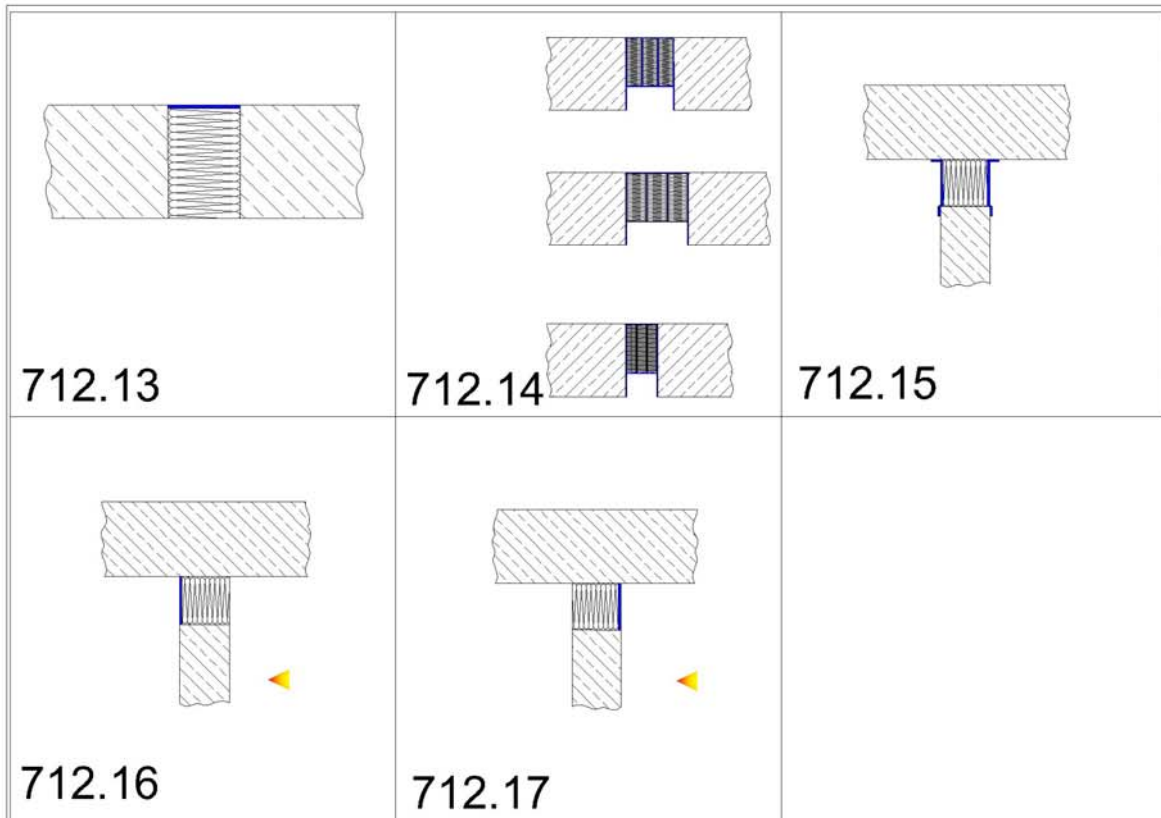
The all sided with PROMASEAL®-A spray coated mineral wool strips shall be compressed with about 30% and inserted in the aperture. For further details see the Product handling guideline.

Details
Density backfilling material: ≥ 40 kg/m ³
PROMASEAL®-A spray thickness: ≥ 1 mm
PROMASEAL®-A spray length on the adjacent wall: ≥ 50 mm
Classification: EI 120 – H – M 30 – B – W 5 to 100 The blue marked classification can be replaced by: E 15, E 30, E 45, E 60, E 90, E 120 EI 15, EI 20, EI 30, EI 45, EI 60, EI 90, EI 120

For Details see drawing 712.14

ANNEX 4 INSTALLATION DRAWINGS

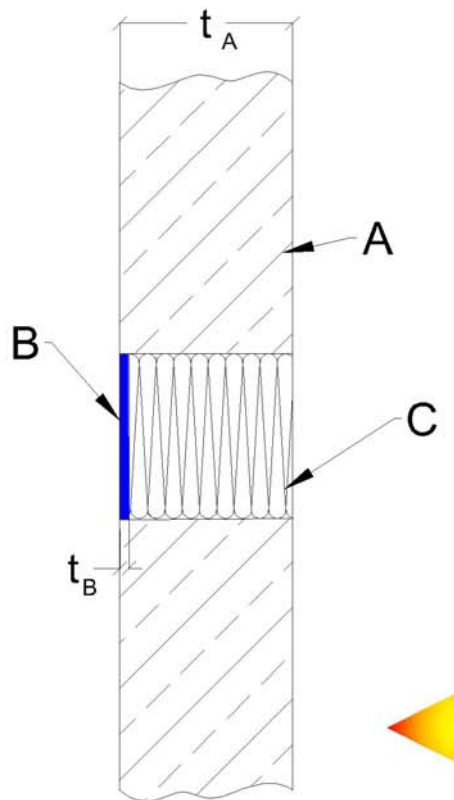


 <p>PROMAT GmbH St.-Peter-Straße 25 4021 Linz / Austria Phone: +43 732 6912 - 3621 Fax: +43 732 6912 - 3740 www.promat.at technik@promat.at © Promat GmbH</p>	<p>Overview of PROMASEAL®-A spray linear joint seal constructions</p>				<p>modified by/on:</p> <hr/> <p>drawn by: KÖRBLER</p> <hr/> <p>drawing number: 712.001</p>
	<p>scale: without</p>	<p>drawing format: A4</p>	<p>date: 14.07.2016</p>	<p>division: Technik</p>	



<p>Promat</p> <p>PROMAT GmbH St.-Peter-Straße 25 4021 Linz / Austria Phone: +43 732 6912 - 3621 Fax: +43 732 6912 - 3740 www.promat.at technik@promat.at © Promat GmbH</p>	<p>Overview of PROMASEAL®-A spray linear joint seal consultations</p>				<p>modified by/on:</p>
					<p>drawn by:</p> <p>KÖRBLER</p>
	<p>scale:</p> <p>without</p>	<p>drawing format:</p> <p>A4</p>	<p>date:</p> <p>14.07.2016</p>	<p>division:</p> <p>Technik</p>	<p>drawing number:</p> <p>712.002</p>

Technical advice and information is given in good faith. Boundary conditions and installation conditions are to be checked on site. All rights, especially germ. Remain copyright and patent laws reserved.
Technical documentation (drawings, calculations, design proposals, etc.) and patterns remain the property of Promat®. For failure to reach a goods business, the extent services provided are the seller in the event to pay buyers side using appropriate. Please refer to our delivery and payment.

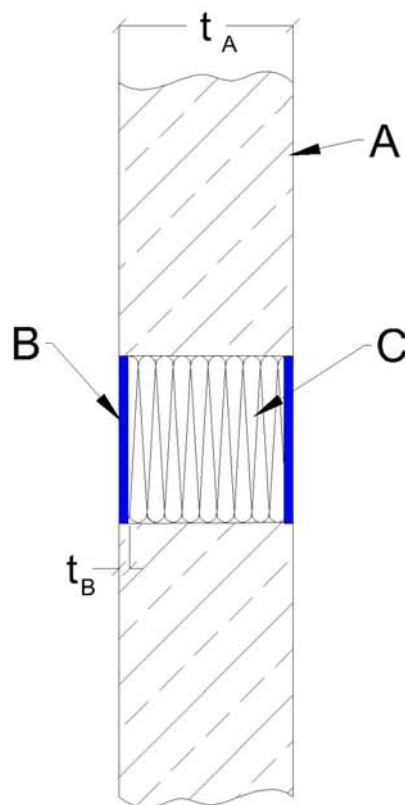


legend:

- A ... rigid wall
- B ... PROMASEAL®-A spray
- C ... mineral wool
- t_A ... wall thickness
- t_B ... thickness of the fire stop coating

Promat PROMAT GmbH St.-Peter-Strasse 25 4021 Linz / Austria Phone: +43 732 6912 - 3621 Fax: +43 732 6912 - 3740 www.promat.at technik@promat.at © Promat GmbH	PROMASEAL®-A spray linear joint seal, vertical in/between wall constructions				modified by/on:
					drawn by: KÖRBLER
	scale: without	drawing format: A4	date: 14.07.2016	division: Technik	drawing number: 712.01

Technical advice and information is given in good faith. Boundary conditions and installation conditions are to be checked on site. All rights, especially gem. Remain copyright and patent laws reserved.
Technical documentation (drawings, calculations, design proposals, etc.) and patterns remain the property of Promat®. For failure to reach a goods business, the extent services provided are the seller in the event to pay buyers side using appropriate. Please refer to our delivery and payment.



legend:

- A ... rigid wall
- B ... PROMASEAL® -A spray
- C ... mineral wool
- t_A ... wall thickness
- t_B ... thickness of the fire stop coating

Promat

PROMAT GmbH

St.-Peter-Straße 25
4021 Linz / Austria
Phone: +43 732 6912 - 3621
Fax: +43 732 6912 - 3740
www.promat.at
technik@promat.at

© Promat GmbH

PROMASEAL® -A spray linear joint seal,
vertical in/between wall constructions

modified by/on:

drawn by:

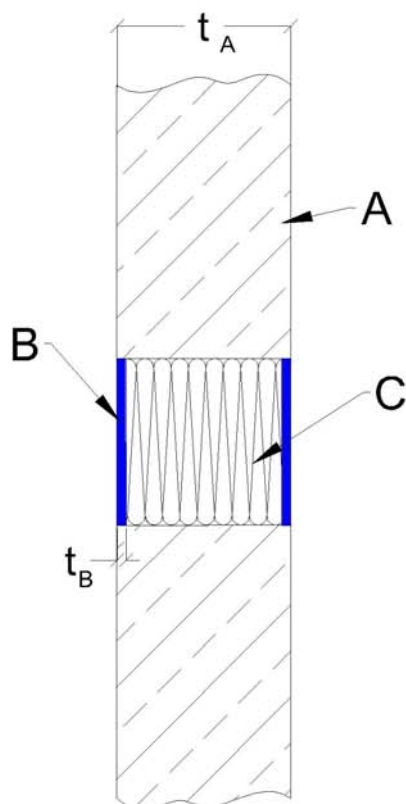
KÖRBLER

drawing number:

712.02

scale:	without	drawing format:	A4	date:	14.07.2016	division:	Technik
--------	---------	-----------------	----	-------	------------	-----------	---------

Technical advice and information is given in good faith. Boundary conditions and installation conditions are to be checked on site. All rights, especially germ. Remain copyright and patent laws reserved.
Technical documentation (drawings, calculations, design proposals, etc.) and patterns remain the property of Promat®. For failure to reach a goods business, the extent services provided are the seller in the event to pay buyers side using appropriate. Please refer to our delivery and payment.



legend:

- A ... rigid wall
- B ... PROMASEAL® -A spray
- C ... mineral wool
- t_A ... wall thickness
- t_B ... thickness of the fire stop coating

Promat

PROMAT GmbH

St.-Peter-Straße 25
4021 Linz / Austria
Phone: +43 732 6912 - 3621
Fax: +43 732 6912 - 3740
www.promat.at
technik@promat.at

© Promat GmbH

PROMASEAL® -A spray linear joint seal,
horizontal in/between wall constructions

modified by/on:

drawn by:

KÖRBLER

drawing number:

712.03

scale:

without

drawing format:

A4

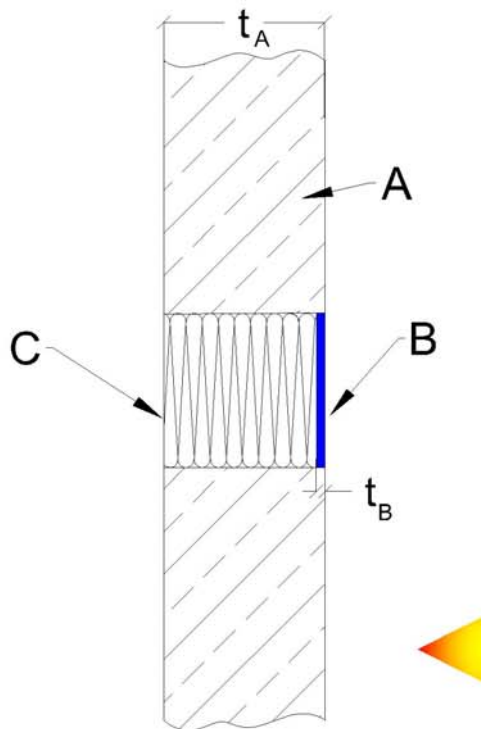
date:

14.07.2016

division:

Technik

Technical advice and information is given in good faith. Boundary conditions and installation conditions are to be checked on site. All rights, especially gem. Remain copyright and patent laws reserved.
 Technical documentation (drawings, calculations, design proposals, etc.) and patterns remain the property of Promat®. For failure to reach a goods business, the extent services provided are the seller in the event to pay buyers side using appropriate. Please refer to our delivery and payment.



legend:

- A ... rigid wall
- B ... PROMASEAL®-A spray
- C ... mineral wool
- t_A ... wall thickness
- t_B ... thickness of the fire stop coating

Promat

PROMAT GmbH

St.-Peter-Straße 25
4021 Linz / Austria
Phone: +43 732 6912 - 3621
Fax: +43 732 6912 - 3740
www.promat.at
technik@promat.at

© Promat GmbH

PROMASEAL®-A spray linear joint seal,
vertical in/between wall constructions

modified by/on:

drawn by:

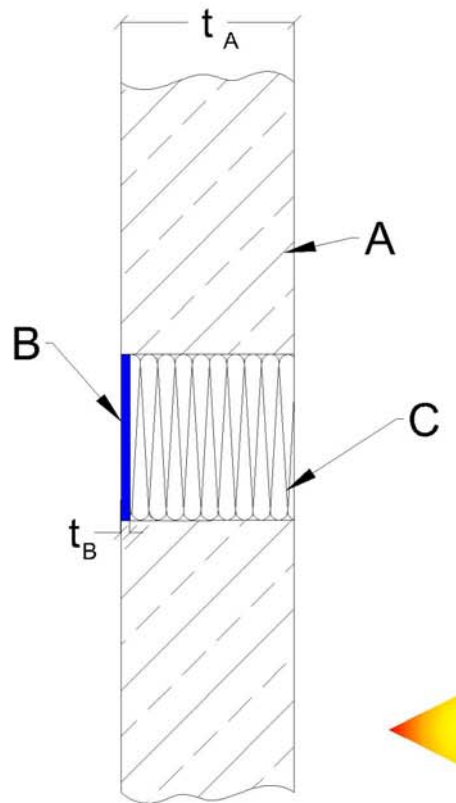
KÖRBLER

drawing number:

712.04

scale:	without	drawing format:	A4	date:	14.07.2016	division:	Technik
--------	---------	-----------------	----	-------	------------	-----------	---------

Technical advice and information is given in good faith. Boundary conditions and installation conditions are to be checked on site. All rights, especially gem. Remain copyright and patent laws reserved.
Technical documentation (drawings, calculations, design proposals, etc.) and patterns remain the property of Promat®. For failure to reach a goods business, the extent services provided are the seller in the event to pay buyers side using appropriate. Please refer to our delivery and payment.



legend:

- A ... rigid wall
- B ... PROMASEAL® -A spray
- C ... mineral wool
- t_A ... wall thickness
- t_B ... thickness of the fire stop coating

Promat

PROMAT GmbH

St.-Peter-Straße 25
4021 Linz / Austria
Phone: +43 732 6912 - 3621
Fax: +43 732 6912 - 3740
www.promat.at
technik@promat.at

© Promat GmbH

PROMASEAL® -A spray linear joint seal,
vertical in/between wall constructions

modified by/on:

drawn by:

KÖRBLER

drawing number:

712.05

scale:

without

drawing format:

A4

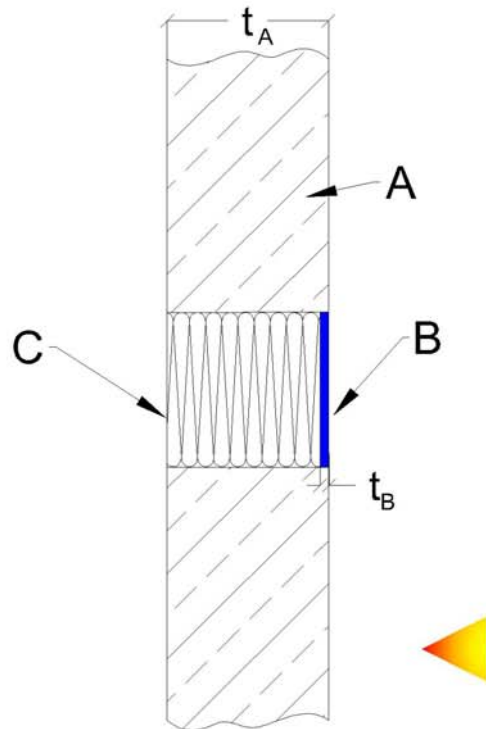
date:

14.07.2016

division:

Technik

Technical advice and information is given in good faith. Boundary conditions and installation conditions are to be checked on site. All rights, especially gem. Remain copyright and patent laws reserved.
Technical documentation (drawings, calculations, design proposals, etc.) and patterns remain the property of Promat®. For failure to reach a goods business, the extent services provided are the seller in the event to pay buyers side using appropriate. Please refer to our delivery and payment.



legend:

- A ... rigid wall
- B ... PROMASEAL® -A spray
- C ... mineral wool
- t_A ... wall thickness
- t_B ... thickness of the fire stop coating

Promat

PROMAT GmbH

St.-Peter-Straße 25
4021 Linz / Austria
Phone: +43 732 6912 - 3621
Fax: +43 732 6912 - 3740
www.promat.at
technik@promat.at

© Promat GmbH

PROMASEAL® -A spray linear joint seal,
horizontal in/between wall constructions

modified by/on:

drawn by:

KÖRBLER

drawing number:

712.06

scale:

without

drawing format:

A4

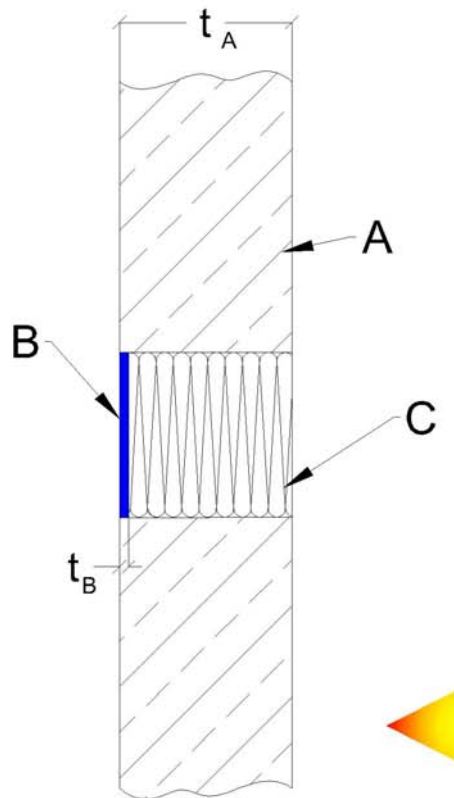
date:

14.07.2016

division:

Technik

Technical advice and information is given in good faith. Boundary conditions and installation conditions are to be checked on site. All rights, especially gem. Remain copyright and patent laws reserved.
Technical documentation (drawings, calculations, design proposals, etc.) and patterns remain the property of Promat®. For failure to reach a goods business, the extent services provided are the seller in the event to pay buyers side using appropriate. Please refer to our delivery and payment.



legend:

- A ... rigid wall
- B ... PROMASEAL® -A spray
- C ... mineral wool
- t_A ... wall thickness
- t_B ... thickness of the fire stop coating

Promat

PROMAT GmbH

St.-Peter-Straße 25
4021 Linz / Austria
Phone: +43 732 6912 - 3621
Fax: +43 732 6912 - 3740
www.promat.at
technik@promat.at

© Promat GmbH

PROMASEAL® -A spray linear joint seal,
horizontal in/between wall constructions

modified by/on:

drawn by:

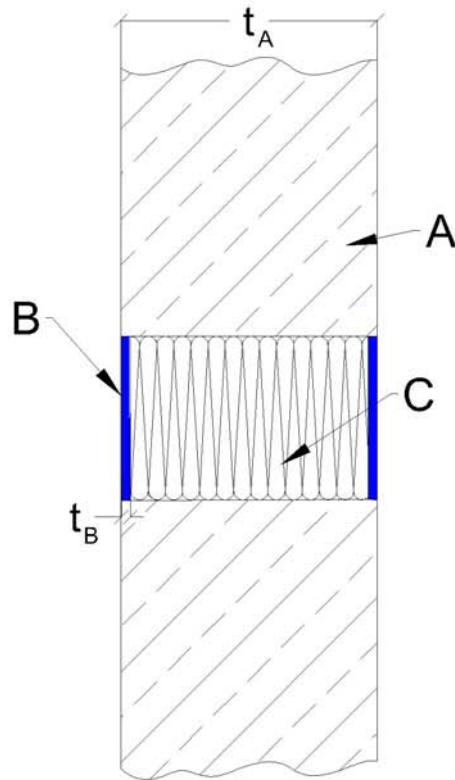
KÖRBLER

drawing number:

712.07

scale:	without	drawing format:	A4	date:	14.07.2016	division:	Technik
--------	---------	-----------------	----	-------	------------	-----------	---------

Technical advice and information is given in good faith. Boundary conditions and installation conditions are to be checked on site. All rights, especially gem. Remain copyright and patent laws reserved.
Technical documentation (drawings, calculations, design proposals, etc.) and patterns remain the property of Promat®. For failure to reach a goods business, the extent services provided are the seller in the event to pay buyers side using appropriate. Please refer to our delivery and payment.



legend:

- A ... rigid wall
- B ... PROMASEAL® -A spray
- C ... mineral wool
- t_A ... wall thickness
- t_B ... thickness of the fire stop coating

Promat

PROMAT GmbH

St.-Peter-Straße 25
4021 Linz / Austria
Phone: +43 732 6912 - 3621
Fax: +43 732 6912 - 3740
www.promat.at
technik@promat.at

© Promat GmbH

PROMASEAL® -A spray linear joint seal,
vertical in/between wall constructions

modified by/on:

drawn by:

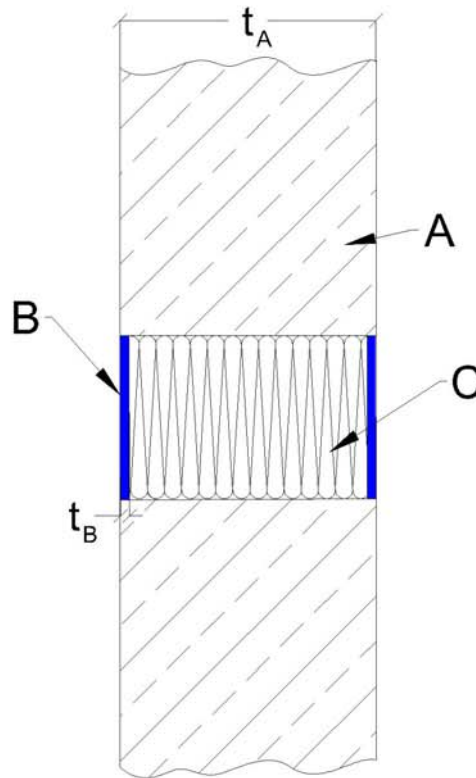
KÖRBLER

drawing number:

712.08

scale:	without	drawing format:	A4	date:	14.07.2016	division:	Technik
--------	---------	-----------------	----	-------	------------	-----------	---------

Technical advice and information is given in good faith. Boundary conditions and installation conditions are to be checked on site. All rights, especially gem. Remain copyright and patent laws reserved.
 Technical documentation (drawings, calculations, design proposals, etc.) and patterns remain the property of Promat®. For failure to reach a goods business, the extent services provided are the seller in the event to pay buyers side using appropriate. Please refer to our delivery and payment.



legend:

- A ... rigid wall
- B ... PROMASEAL® -A spray
- C ... mineral wool
- t_A ... wall thickness
- t_B ... thickness of the fire stop coating

Promat

PROMAT GmbH

St.-Peter-Strasse 25
4021 Linz / Austria
Phone: +43 732 6912 - 3621
Fax: +43 732 6912 - 3740
www.promat.at
technik@promat.at

© Promat GmbH

PROMASEAL® -A spray linear joint seal,
horizontal in/between wall constructions

modified by/on:

drawn by:

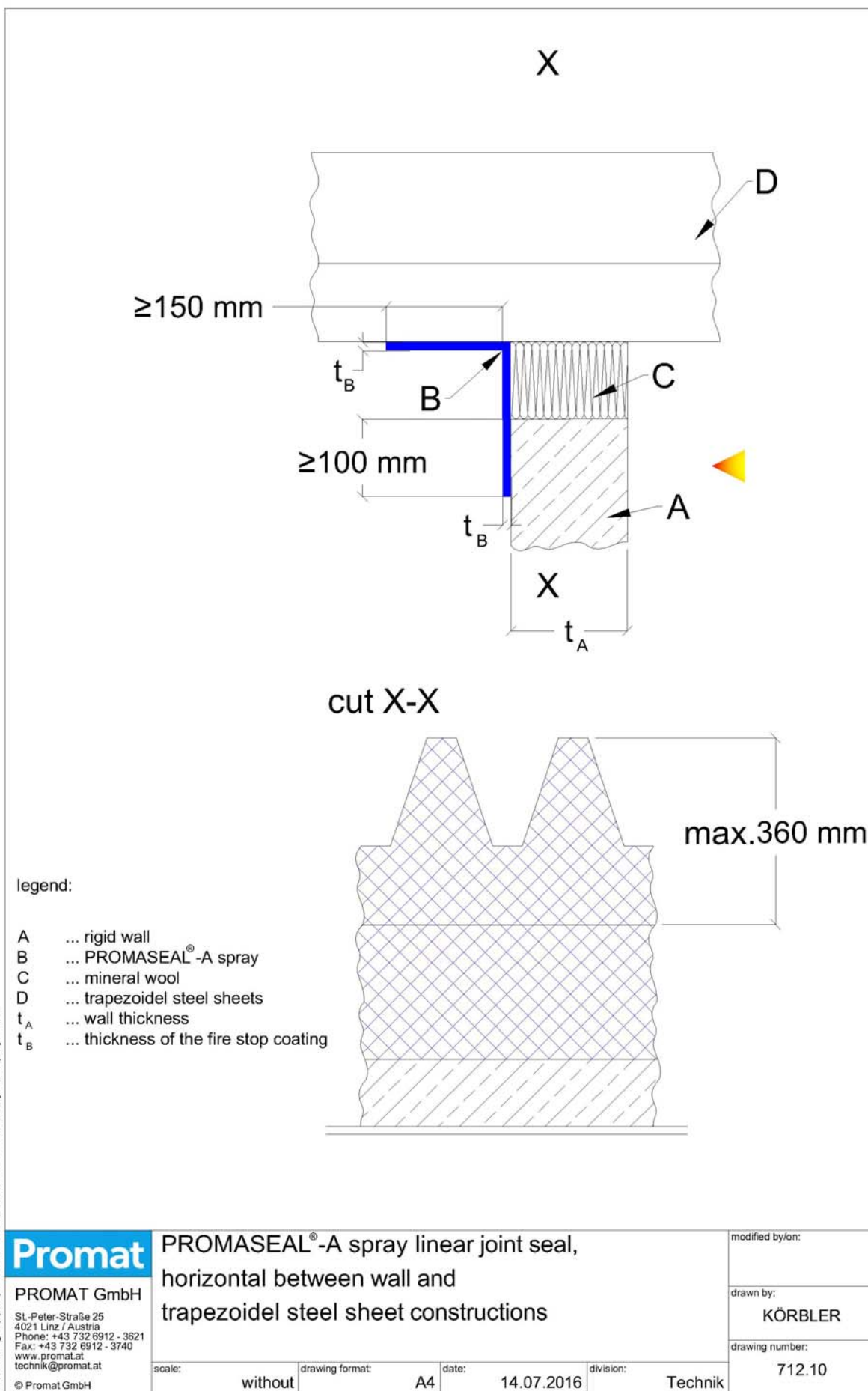
KÖRBLER

drawing number:

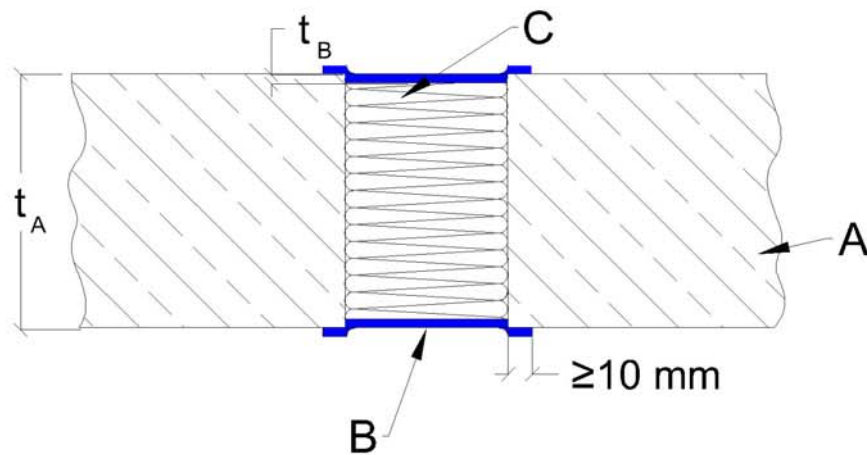
712.09

scale:	without	drawing format:	A4	date:	14.07.2016	division:	Technik
--------	---------	-----------------	----	-------	------------	-----------	---------

Technical advice and information is given in good faith. Boundary conditions and installation conditions are to be checked on site. All rights, especially gem. Remain copyright and patent laws reserved.
Technical documentation (drawings, calculations, design proposals, etc.) and patterns remain the property of Promat®. For failure to reach a goods business, the extent services provided are the seller in the event to pay buyers side using appropriate. Please refer to our delivery and payment.



Technical advice and information is given in good faith. Boundary conditions and installation conditions are to be checked on site. All rights, especially germ. Remain copyright and patent laws reserved.
Technical documentation (drawings, calculations, design proposals, etc.) and patterns remain the property of Promat®. For failure to reach a goods business, the extent services provided are the seller in the event to pay buyers side using appropriate. Please refer to our delivery and payment.



legend:

- A ... rigid floor
- B ... PROMASEAL® -A spray
- C ... mineral wool
- t_A ... floor thickness
- t_B ... thickness of the fire stop coating

Promat

PROMAT GmbH

St.-Peter-Straße 25
4021 Linz / Austria
Phone: +43 732 6912 - 3621
Fax: +43 732 6912 - 3740
www.promat.at
technik@promat.at
© Promat GmbH

PROMASEAL® -A spray linear joint seal,
in/between floor constructions

modified by/on:

drawn by:

KÖRBLER

drawing number:

712.11

scale:

without

drawing format:

A4

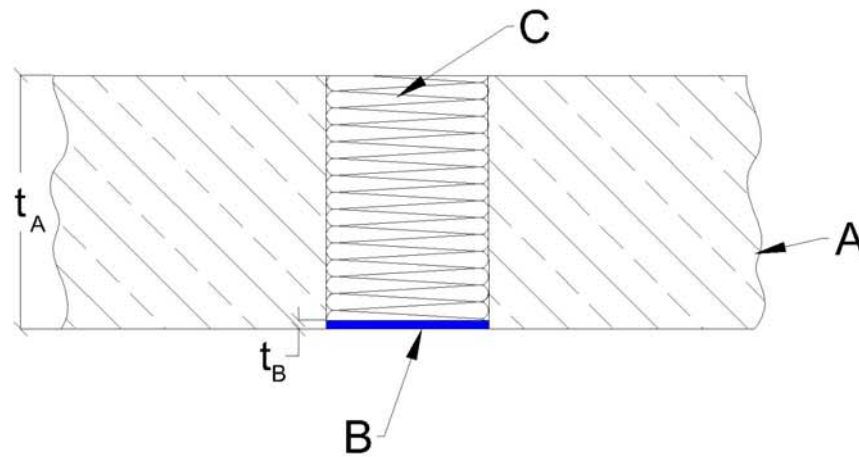
date:

14.07.2016

division:

Technik

Technical advice and information is given in good faith. Boundary conditions and installation conditions are to be checked on site. All rights, especially gem. Remain copyright and patent laws reserved.
Technical documentation (drawings, calculations, design proposals, etc.) and patterns remain the property of Promat®. For failure to reach a goods business, the extent services provided are the seller in the event to pay buyers side using appropriate. Please refer to our delivery and payment.



legend:

- A ... rigid floor
- B ... PROMASEAL® -A spray
- C ... mineral wool
- t_A ... floor thickness
- t_B ... thickness of the fire stop coating

Promat

PROMAT GmbH

St.-Peter-Straße 25
4021 Linz / Austria
Phone: +43 732 6912 - 3621
Fax: +43 732 6912 - 3740
www.promat.at
technik@promat.at
© Promat GmbH

PROMASEAL® -A spray linear joint seal,
in/between floor constructions

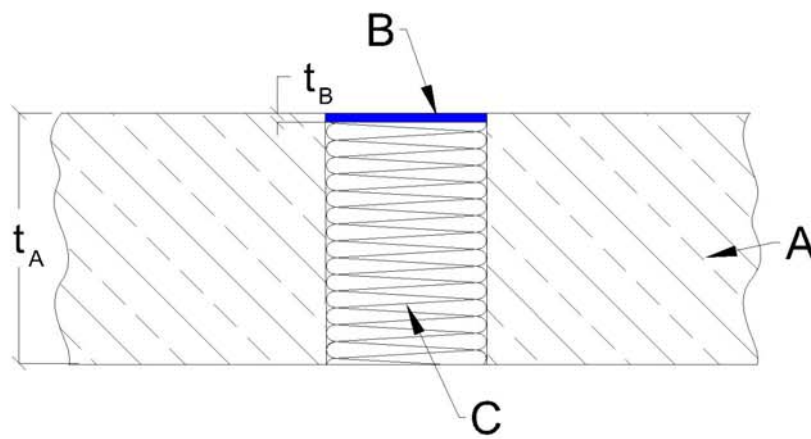
modified by/on:

drawn by:
KÖRBLER

drawing number:
712.12

scale:	without	drawing format:	A4	date:	14.07.2016	division:	Technik
--------	---------	-----------------	----	-------	------------	-----------	---------

Technical advice and information is given in good faith. Boundary conditions and installation conditions are to be checked on site. All rights, especially gem. Remain copyright and patent laws reserved.
Technical documentation (drawings, calculations, design proposals, etc.) and patterns remain the property of Promat®. For failure to reach a goods business, the extent services provided are the seller in the event to pay buyers side using appropriate. Please refer to our delivery and payment.

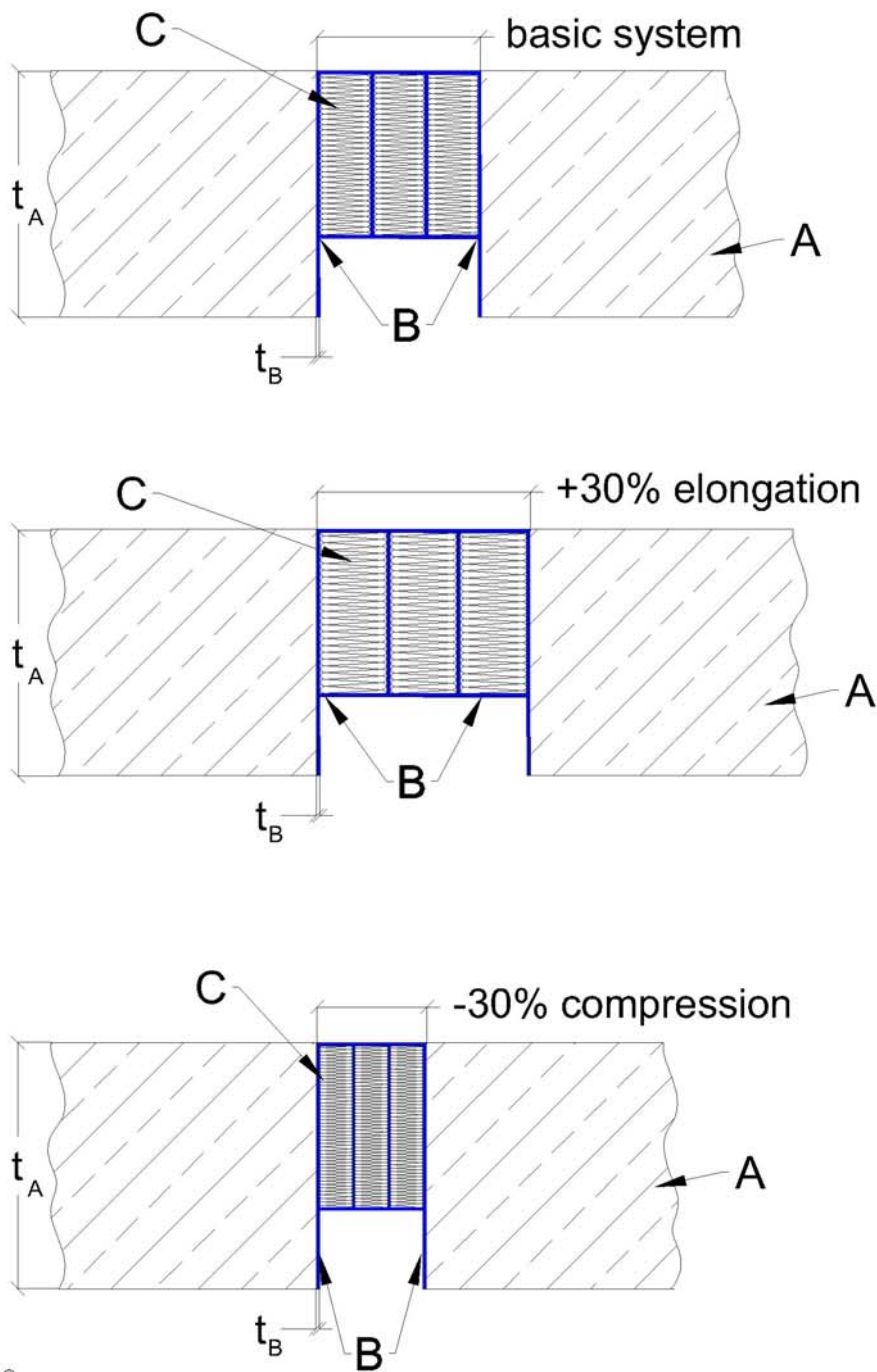


legend:

- A ... rigid floor
- B ... PROMASEAL® -A spray
- C ... mineral wool
- t_A ... floor thickness
- t_B ... thickness of the fire stop coating

Promat PROMAT GmbH St.-Peter-Straße 25 4021 Linz / Austria Phone: +43 732 6912 - 3621 Fax: +43 732 6912 - 3740 www.promat.at technik@promat.at © Promat GmbH	PROMASEAL® -A spray linear joint seal, in/between floor constructions				modified by/on:
					drawn by: KÖRBLER
	scale: without	drawing format: A4	date: 14.07.2016	division: Technik	drawing number: 712.13

Technical advice and information is given in good faith. Boundary conditions and installation conditions are to be checked on site. All rights, especially gem. Remain copyright and patent laws reserved.
Technical documentation (drawings, calculations, design proposals, etc.) and patterns remain the property of Promat®. For failure to reach a goods business, the extent services provided are the seller in the event to pay buyers side using appropriate. Please refer to our delivery and payment.



legend:

- A ... rigid floor
- B ... PROMASEAL® -A spray
- C ... mineral wool
- t_A ... floor thickness
- t_B ... thickness of the fire stop coating

Promat

PROMAT GmbH

St.-Peter-Straße 25
4021 Linz / Austria
Phone: +43 732 6912 - 3621
Fax: +43 732 6912 - 3740
www.promat.at
technik@promat.at

© Promat GmbH

PROMASEAL® -A spray linear joint seal,
with up to 30% movement in/between
floor constructions

modified by/on:

drawn by:

KÖRBLER

drawing number:

712.14

scale:

without

drawing format:

A4

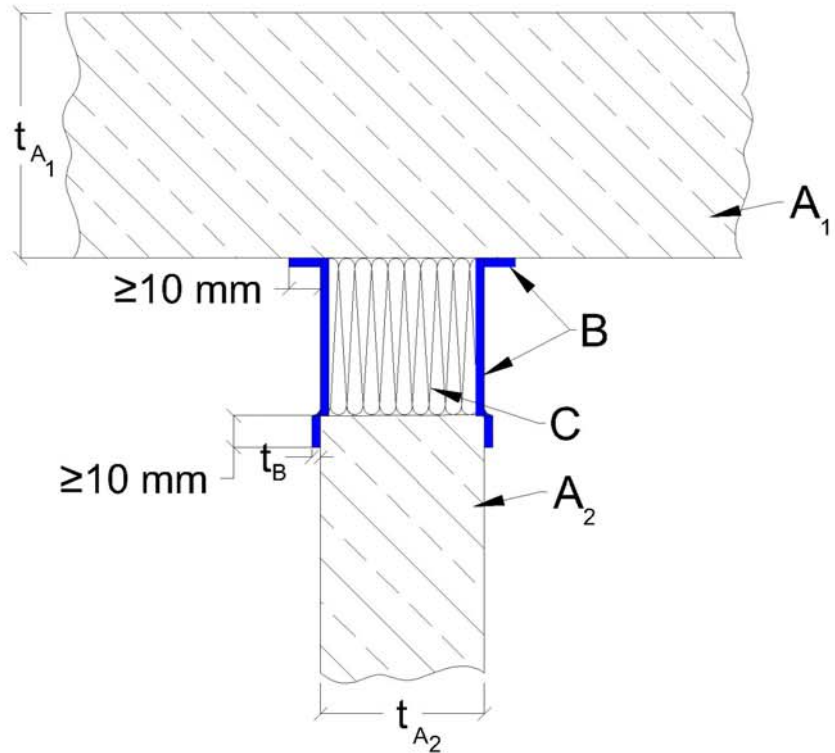
date:

14.07.2016

division:

Technik

Technical advice and information is given in good faith. Boundary conditions and installation conditions are to be checked on site. All rights, especially gem. Remain copyright and patent laws reserved.
 Technical documentation (drawings, calculations, design proposals, etc.) and patterns remain the property of Promat®. For failure to reach a goods business, the extent, services provided are the seller in the event to pay buyers side using appropriate. Please refer to our delivery and payment.

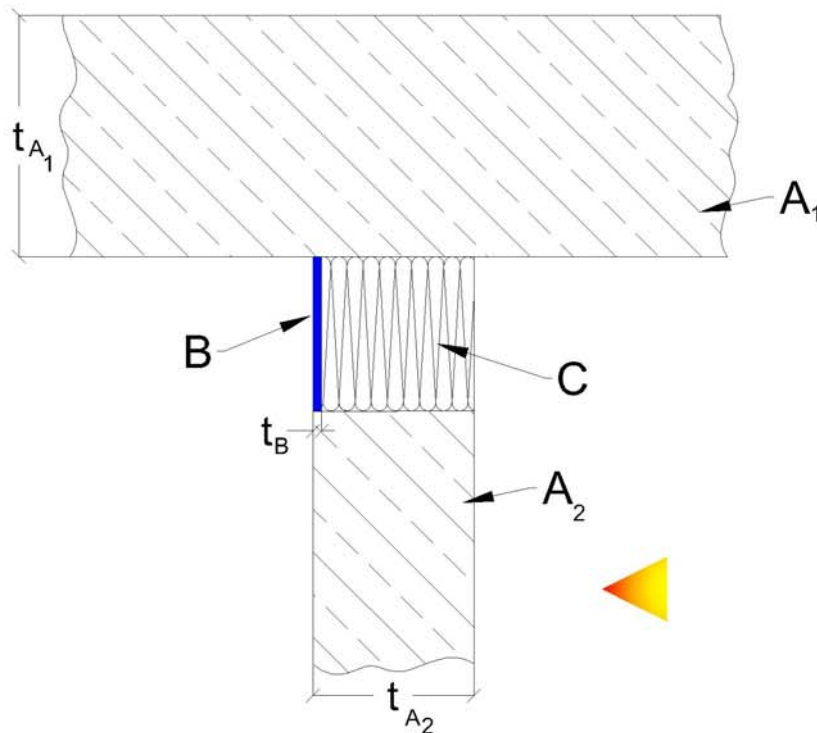


legend:

- A₁ ... rigid floor
- A₂ ... rigid wall
- B ... PROMASEAL®-A spray
- C ... mineral wool
- t_{A₁+A₂} ... floor/wall thickness
- t_B ... thickness of the fire stop coating

PROMAT GmbH St.-Peter-Straße 25 4021 Linz / Austria Phone: +43 732 6912 - 3621 Fax: +43 732 6912 - 3740 www.promat.at technik@promat.at © Promat GmbH	PROMASEAL®-A spray linear joint seal, horizontal in wall abutting a floor, ceiling or roof				modified by/on:		
					drawn by: KÖRBLER		
					drawing number: 712.15		
scale:	without	drawing format:	A4	date:	14.07.2016	division:	Technik

Technical advice and information is given in good faith. Boundary conditions and installation conditions are to be checked on site. All rights, especially gem. Remain copyright and patent laws reserved.
Technical documentation (drawings, calculations, design proposals, etc.) and patterns remain the property of Promat®. For failure to reach a goods business, the extent services provided are the seller in the event to pay buyers side using appropriate. Please refer to our delivery and payment.



legend:

- A₁ ... rigid floor
- A₂ ... rigid wall
- B ... PROMASEAL® -A spray
- C ... mineral wool
- t_{A₁+A₂} ... floor/wall thickness
- t_B ... thickness of the fire stop coating

Promat

PROMAT GmbH

St.-Peter-Straße 25
4021 Linz / Austria
Phone: +43 732 6912 - 3621
Fax: +43 732 6912 - 3740
www.promat.at
technik@promat.at

© Promat GmbH

PROMASEAL®-A spray linear joint seal,
horizontal in a wall abutting a floor,
ceiling or roof

modified by/on:

drawn by:

KÖRBLER

drawing number:

712.16

scale:

without

drawing format:

A4

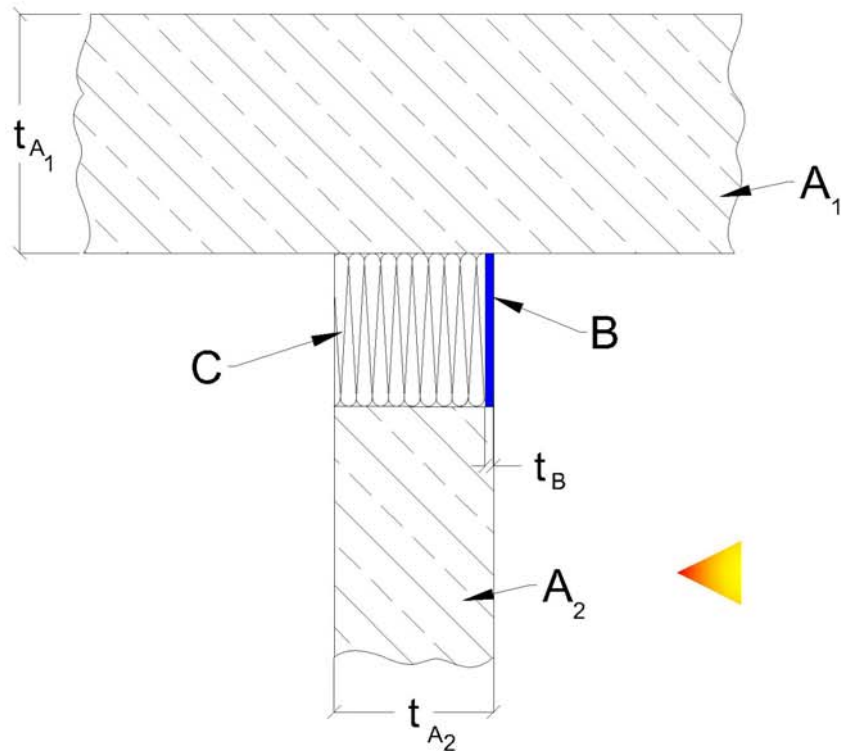
date:

14.07.2016

division:

Technik

Technical advice and information is given in good faith. Boundary conditions and installation conditions are to be checked on site. All rights, especially germ. Remain copyright and patent laws reserved.
Technical documentation (drawings, calculations, design proposals, etc.) and patterns remain the property of Promat®. For failure to reach a goods business, the extent services provided are the seller in the event to pay buyers side using appropriate. Please refer to our delivery and payment.



legend:

- A₁ ... rigid floor
- A₂ ... rigid wall
- B ... PROMASEAL®-A spray
- C ... mineral wool
- t_{A₁+A₂} ... floor/wall thickness
- t_B ... thickness of the fire stop coating

Promat PROMAT GmbH St.-Peter-Straße 25 4021 Linz / Austria Phone: +43 732 6912 - 3621 Fax: +43 732 6912 - 3740 www.promat.at technik@promat.at © Promat GmbH	PROMASEAL®-A spray linear joint seal, horizontal in a wall abutting a floor, ceiling or roof				modified by/on:
					drawn by: KÖRBLER
	scale: without	drawing format: A4	date: 14.07.2016	division: Technik	drawing number: 712.17